



STARK WIE EIN STIER

SIDING & SIDING.X (vertical) ON ALUMINIUM SUPPORTING SUBSTRATES CAD DETAILS

CONTENTS:

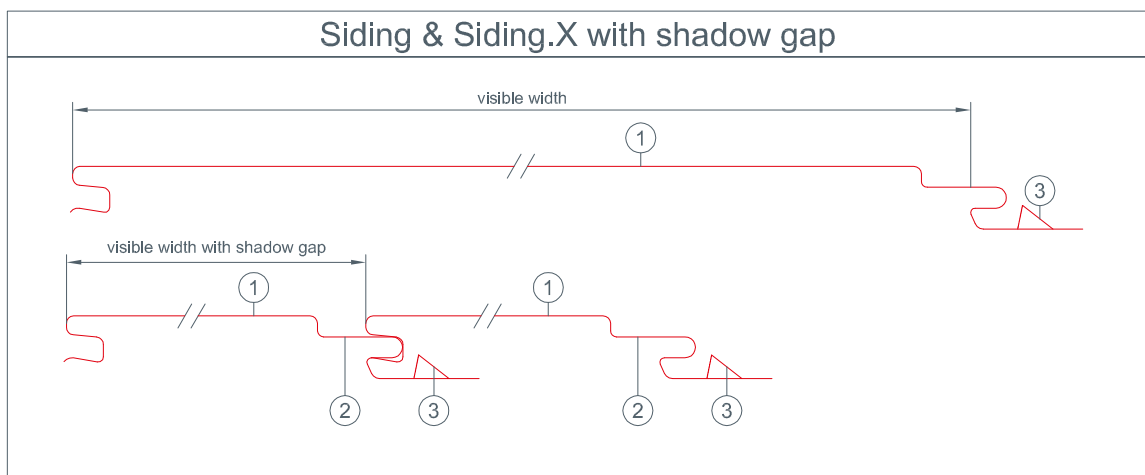
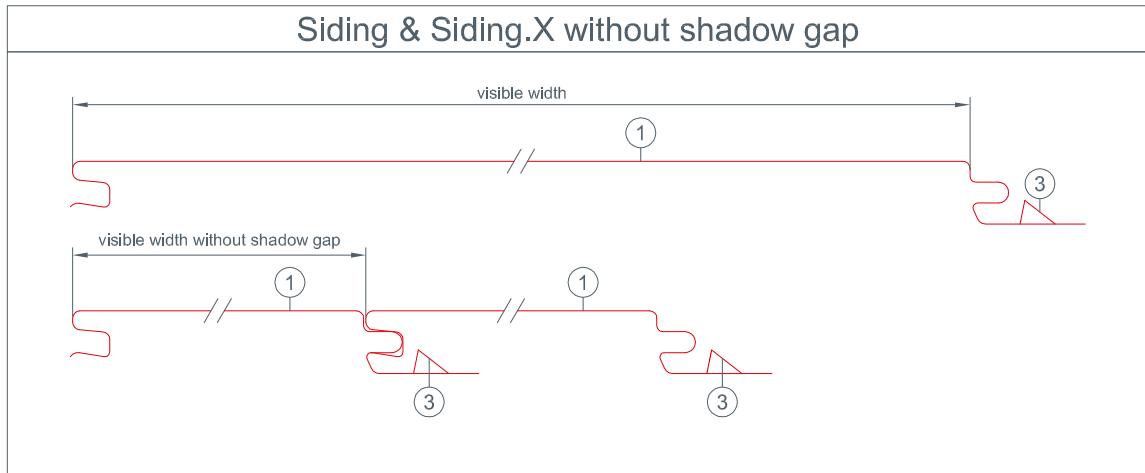
- 2 vertical cross-section – product overview
- 3 vertical cross-section – bottom connection
- 4 horizontal cross-section – wall connection
- 5 horizontal cross-section – external corner
- 6 horizontal cross-section – internal corner
- 7 vertical cross-section – window ledge
- 8 horizontal cross-section – window reveals
- 9 vertical cross-section – window lintel
- 10 vertical cross-section – top connection
- 11 vertical cross-section – roof parapet



STARK WIE EIN STIER

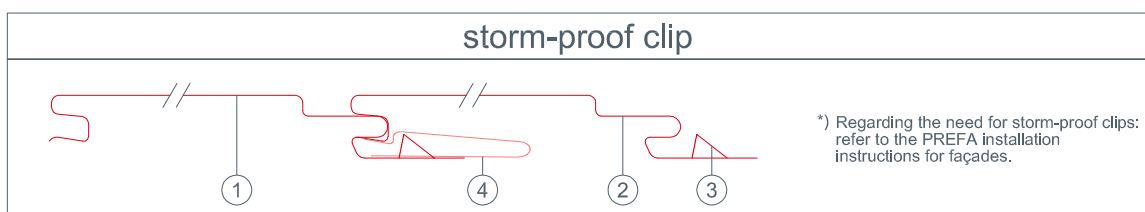
product overview SIDING & SIDING.X (vertical)

CAD DETAILS



Siding & Siding.X dimensions

Siding	Siding.X
<p>① Siding available visible widths: 138 mm x 0,7 mm 200 mm x 1,0 mm 300 mm x 1,2 mm 400 mm x 1,2 mm *</p>	<p>① Siding.X available visible widths: 200 mm x 1,0 mm 300 mm x 1,0 mm* 400 mm x 1,0 mm*</p>
<p>② shadow gap (width: 15 mm; depth: 7 mm)</p>	<p>② shadow gap (width: 15 mm; depth: 7 mm)</p>
<p>③ storm-proof</p>	<p>③ storm-proof</p>
<p>④ * storm-proof clip</p>	<p>④ * storm-proof clip</p>

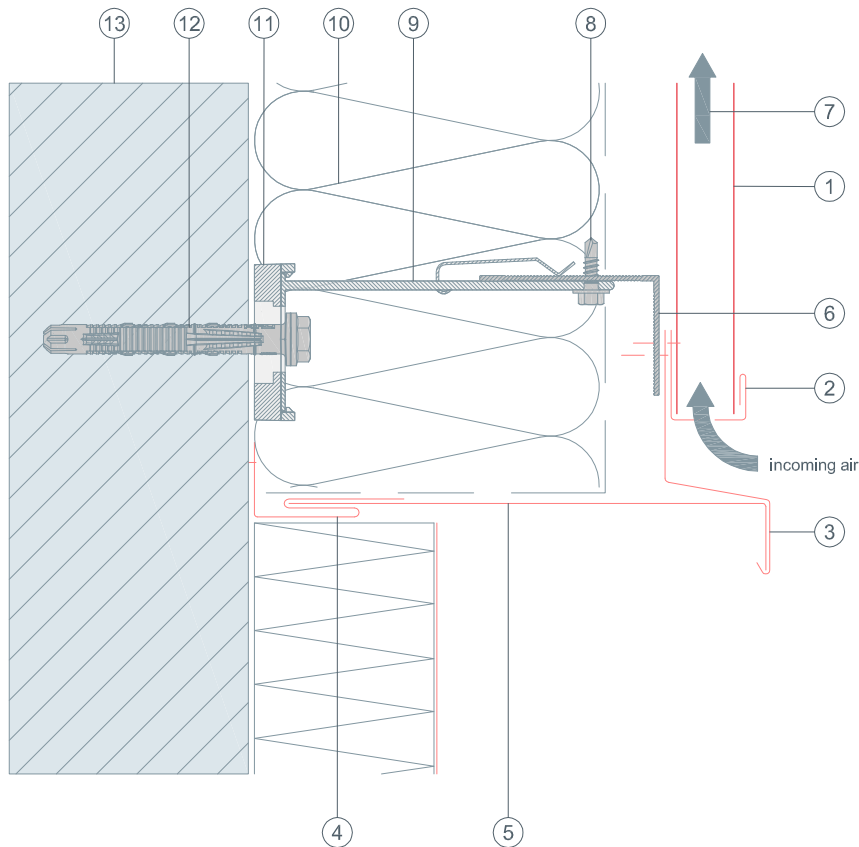




STARK WIE EIN STIER

bottom connection vertical cross-section SIDING & SIDING.X (vertical)

CAD DETAILS

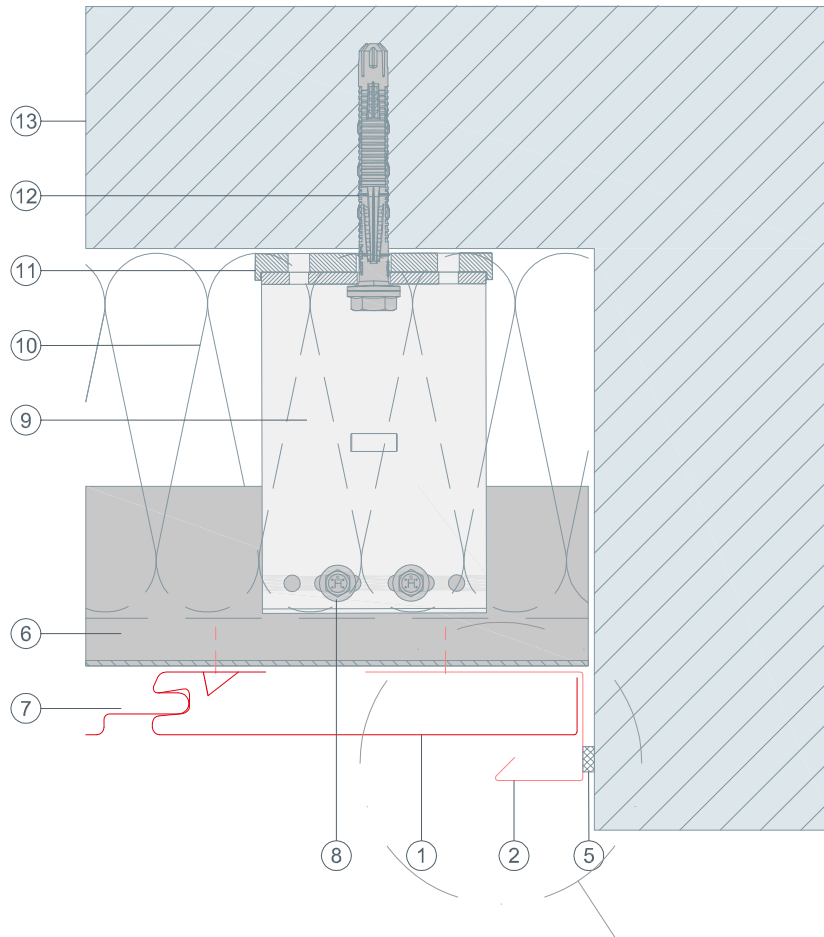


- ① SIDING & SIDING.X (vertical)
- ② perforated plate (PREFA)
- ③ drip (PREFA)
- ④ insertion profile (PREFA)
- ⑤ cover flashing
- ⑥ support profile
- ⑦ ventilation gap
- ⑧ connection screw
- ⑨ spacer bracket
- ⑩ insulation
- ⑪ thermal break
- ⑫ fastener driven into the supporting structure
- ⑬ structural substrate

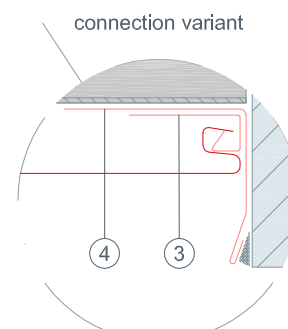


STARK WIE EIN STIER

wall connection horizontal cross-section SIDING & SIDING.X (vertical) CAD DETAILS



- ① SIDING & SIDING.X (vertical)
- ② channel profile (canted)
- ③ starter profile (PREFA)
- ④ wall bracket
- ⑤ sealing tape
- ⑥ support profile
- ⑦ ventilation gap
- ⑧ connection screw
- ⑨ spacer bracket
- ⑩ insulation
- ⑪ thermal break
- ⑫ fastener driven into the supporting structure
- ⑬ structural substrate

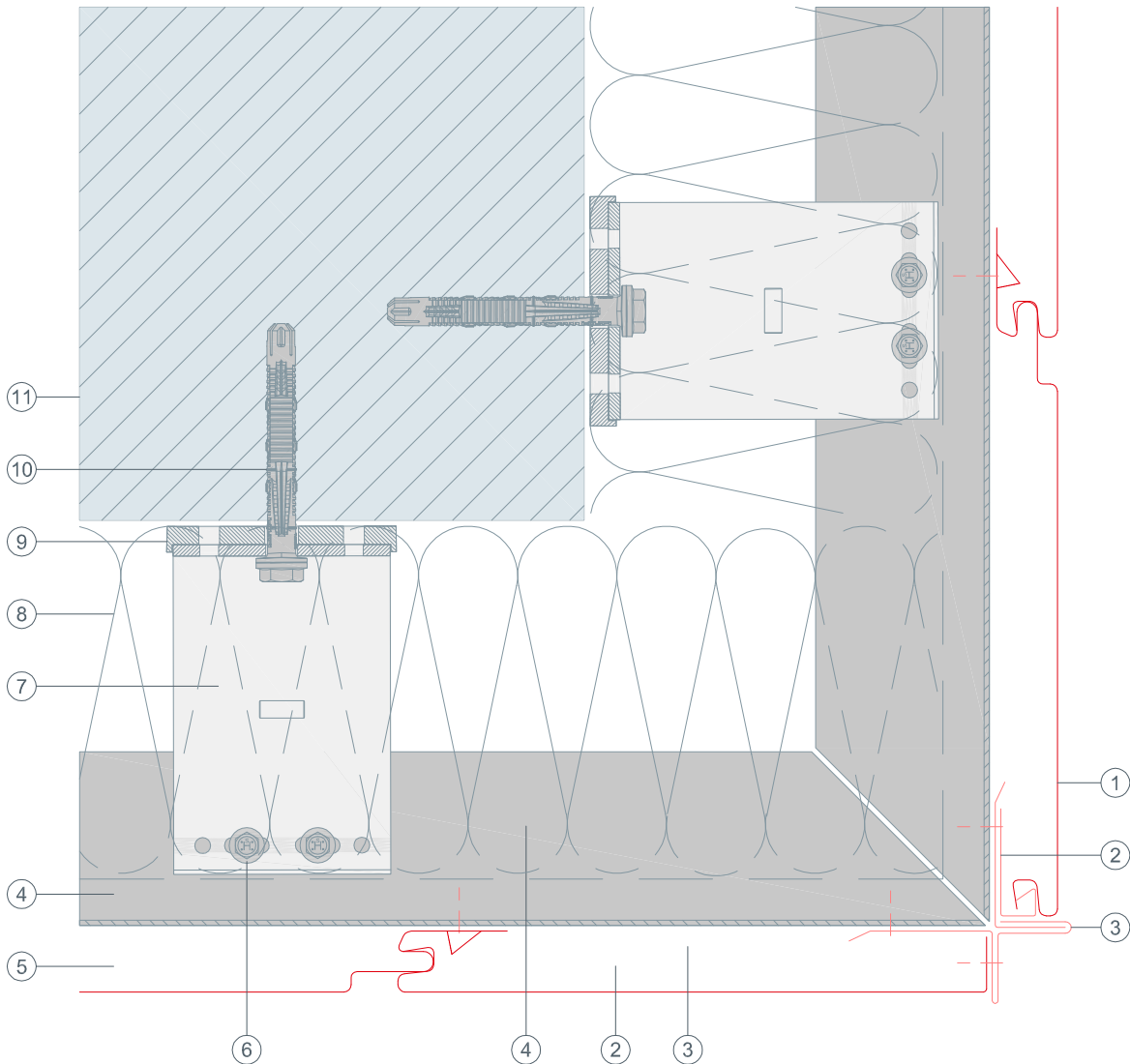




STARK WIE EIN STIER

external corner horizontal cross-section SIDING & SIDING.X (vertical)

CAD DETAILS



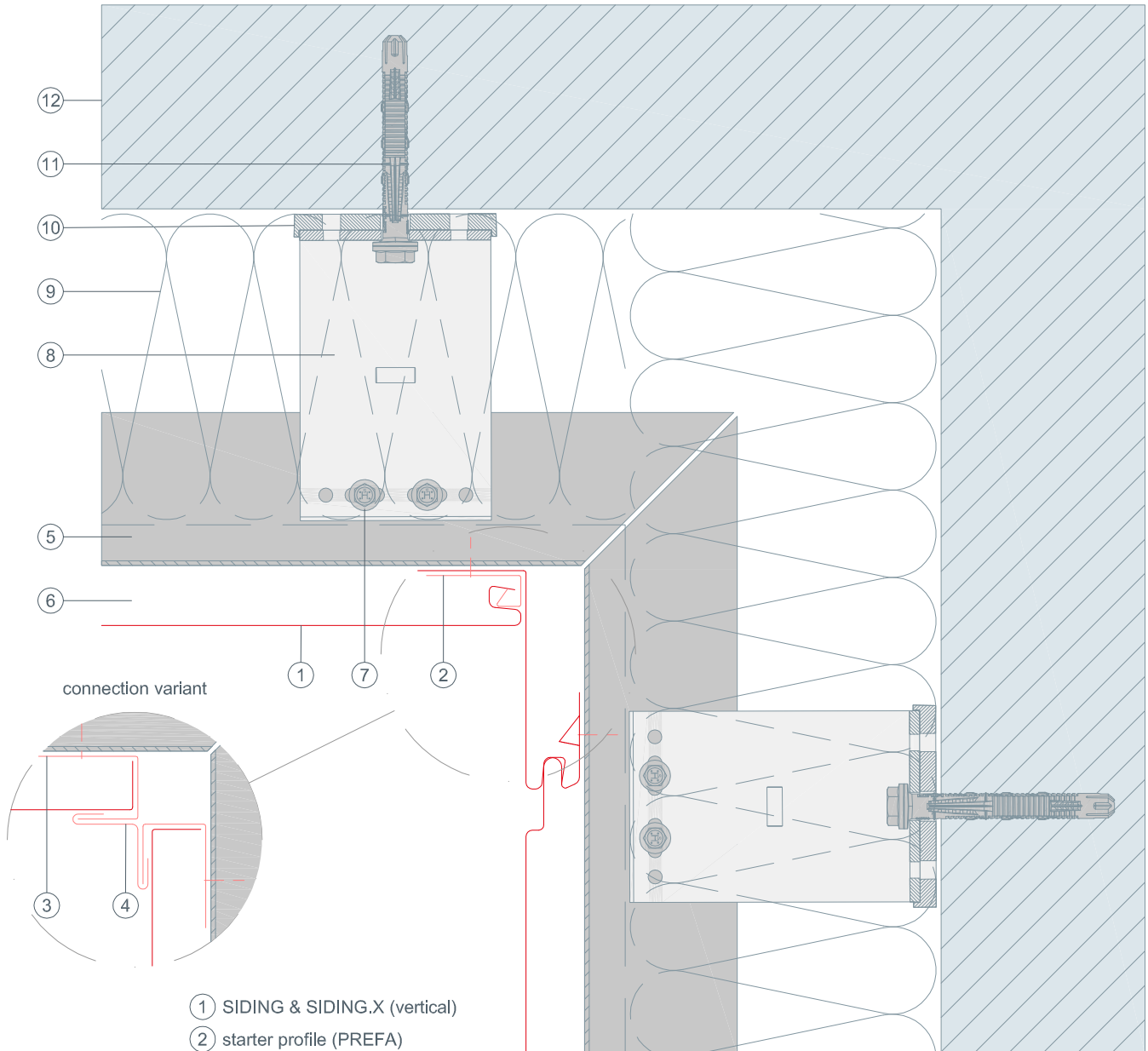
- ① SIDING & SIDING.X (vertical)
- ② starter profile (PREFA)
- ③ external corner flashing (two parts)
- ④ support profile
- ⑤ ventilation gap
- ⑥ connection screw
- ⑦ spacer bracket
- ⑧ insulation
- ⑨ thermal break
- ⑩ fastener driven into the supporting structure
- ⑪ structural substrate



STARK WIE EIN STIER

internal corner horizontal cross-section SIDING & SIDING.X (vertical)

CAD DETAILS



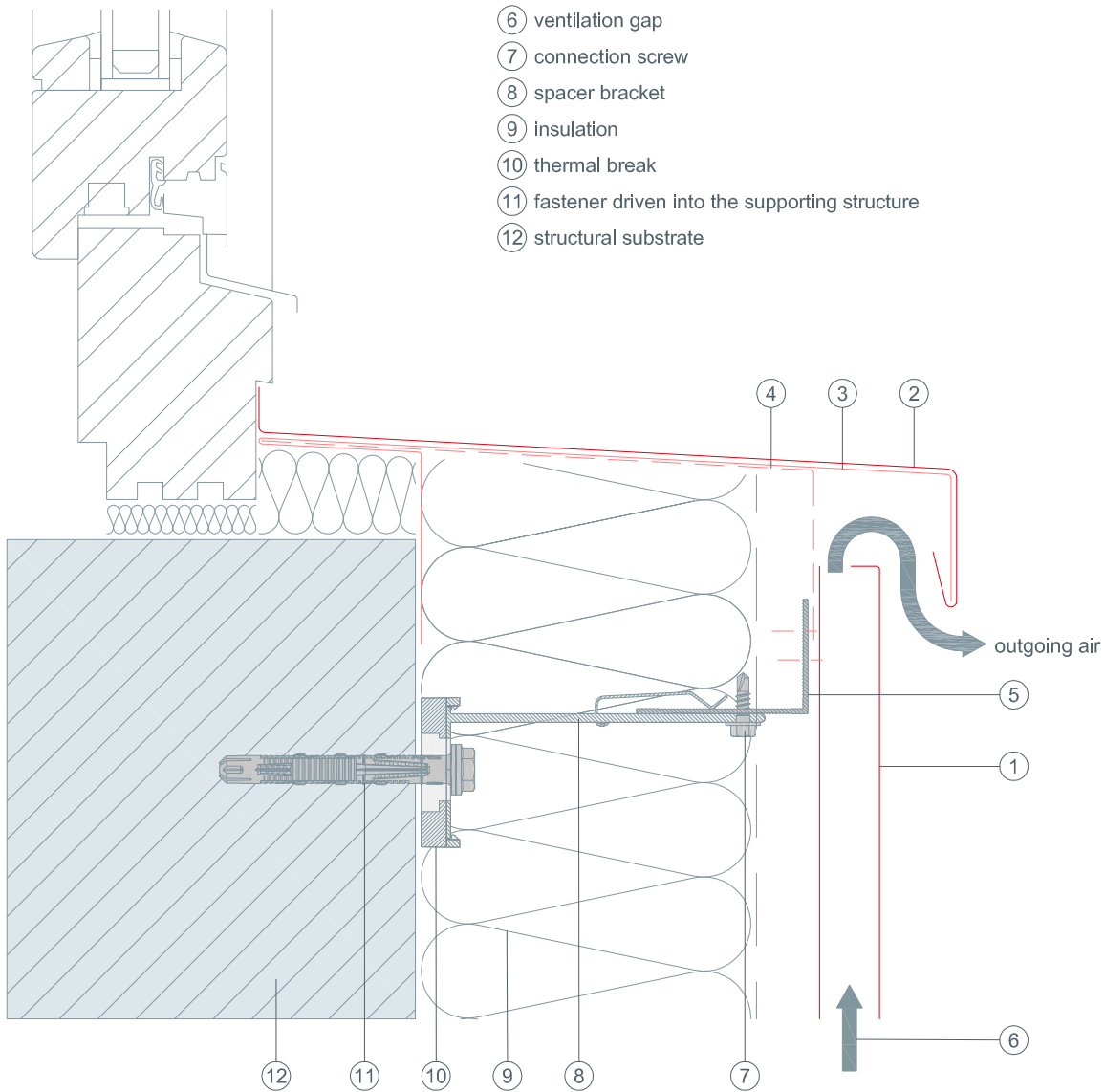
- ① SIDING & SIDING.X (vertical)
- ② starter profile (PREFA)
- ③ channel profile (canted)
- ④ internal corner (canted)
- ⑤ support profile
- ⑥ ventilation gap
- ⑦ spacer bracket
- ⑧ Distanzhalter
- ⑨ insulation
- ⑩ thermal break
- ⑪ fastener driven into the supporting structure
- ⑫ structural substrate



STARK WIE EIN STIER

window ledge vertical cross-section SIDING & SIDING.X (vertical) CAD DETAILS

- ① SIDING & SIDING.X (vertical)
- ② window ledge
- ③ window ledge flashing strip
- ④ perforated metal plate (canted)
- ⑤ support profile
- ⑥ ventilation gap
- ⑦ connection screw
- ⑧ spacer bracket
- ⑨ insulation
- ⑩ thermal break
- ⑪ fastener driven into the supporting structure
- ⑫ structural substrate

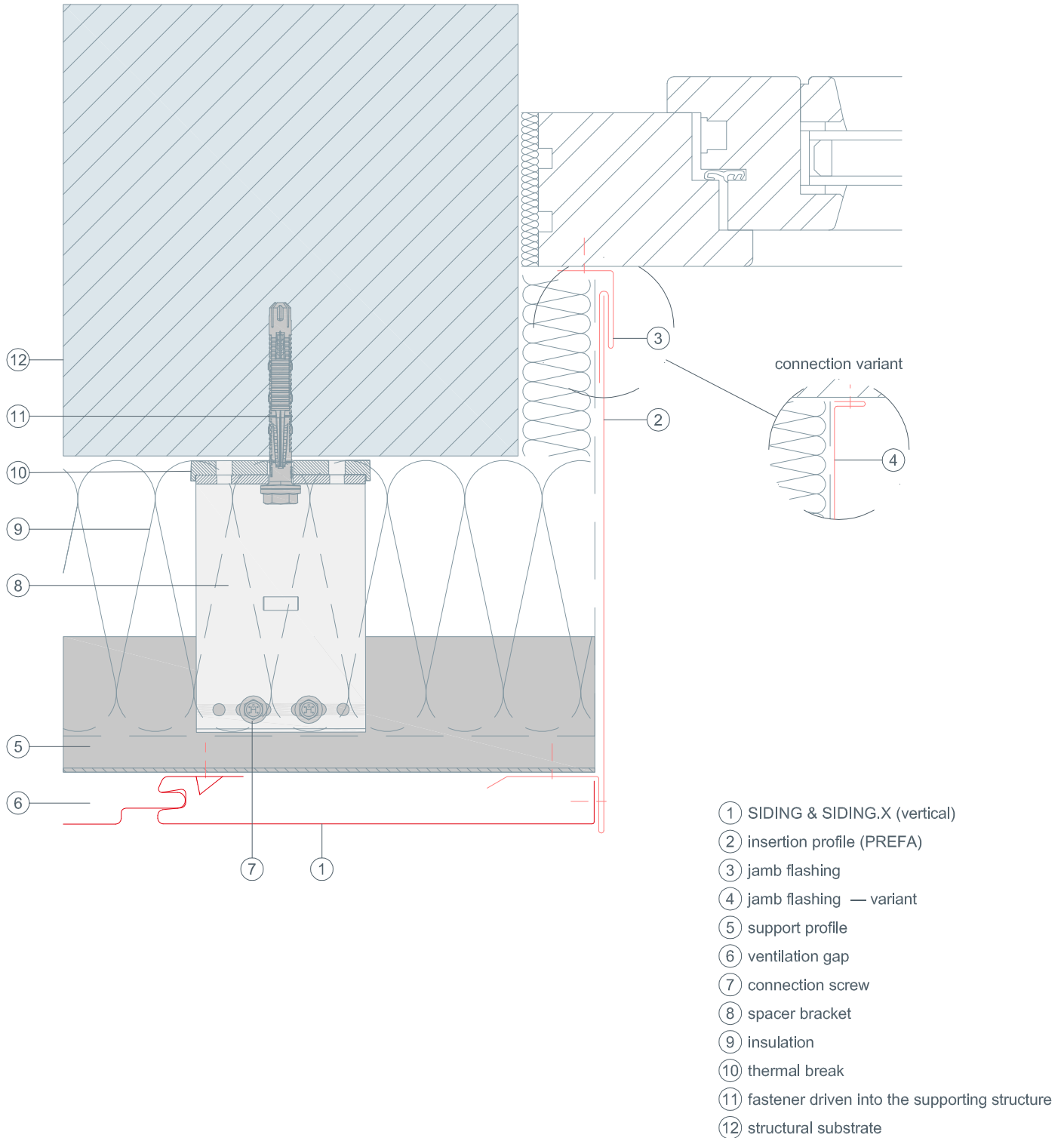




STARK WIE EIN STIER

window reveals horizontal cross-section SIDING & SIDING.X (vertical)

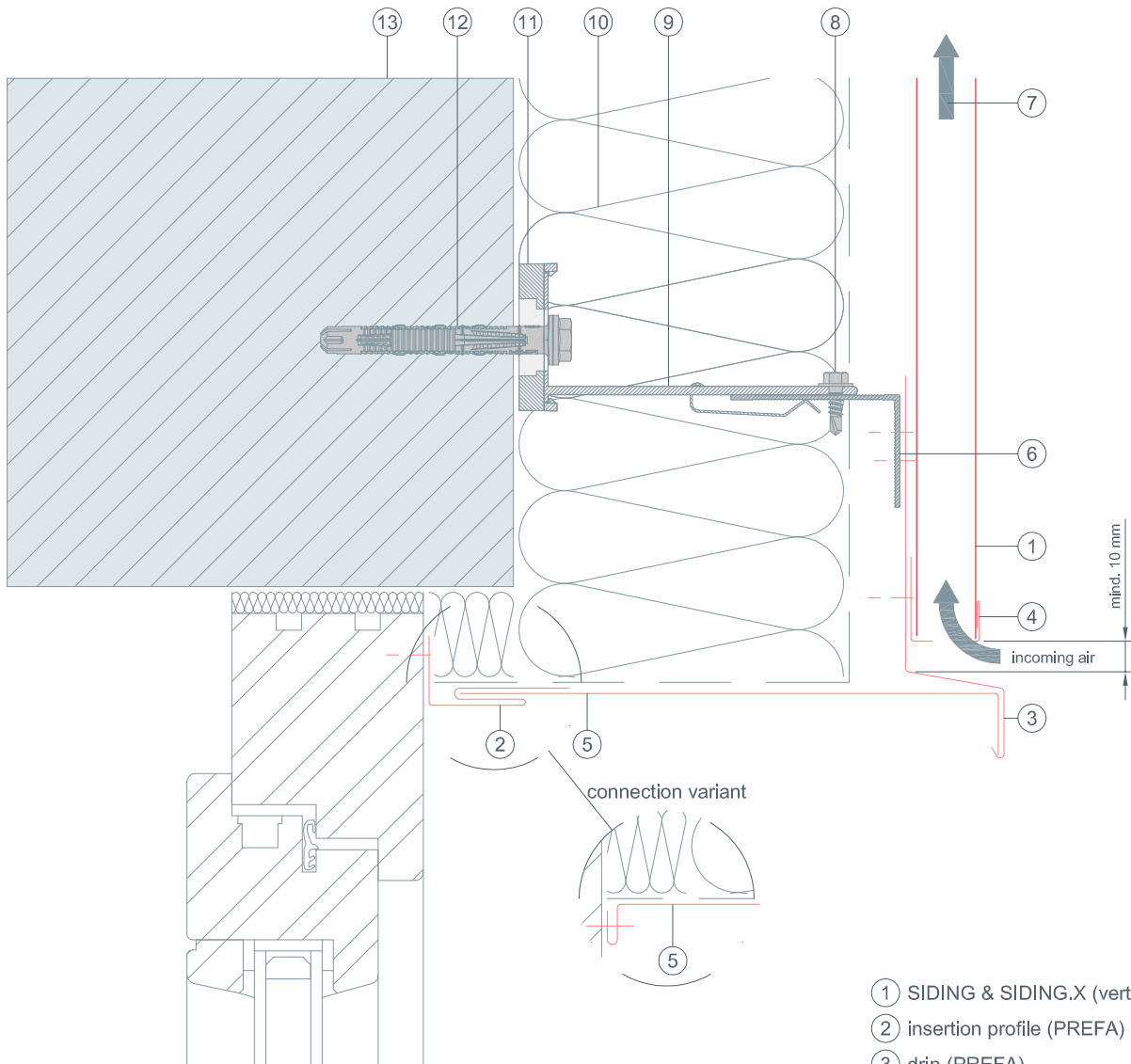
CAD DETAILS





STARK WIE EIN STIER

window lintel vertical cross-section SIDING & SIDING.X (vertical) CAD DETAILS

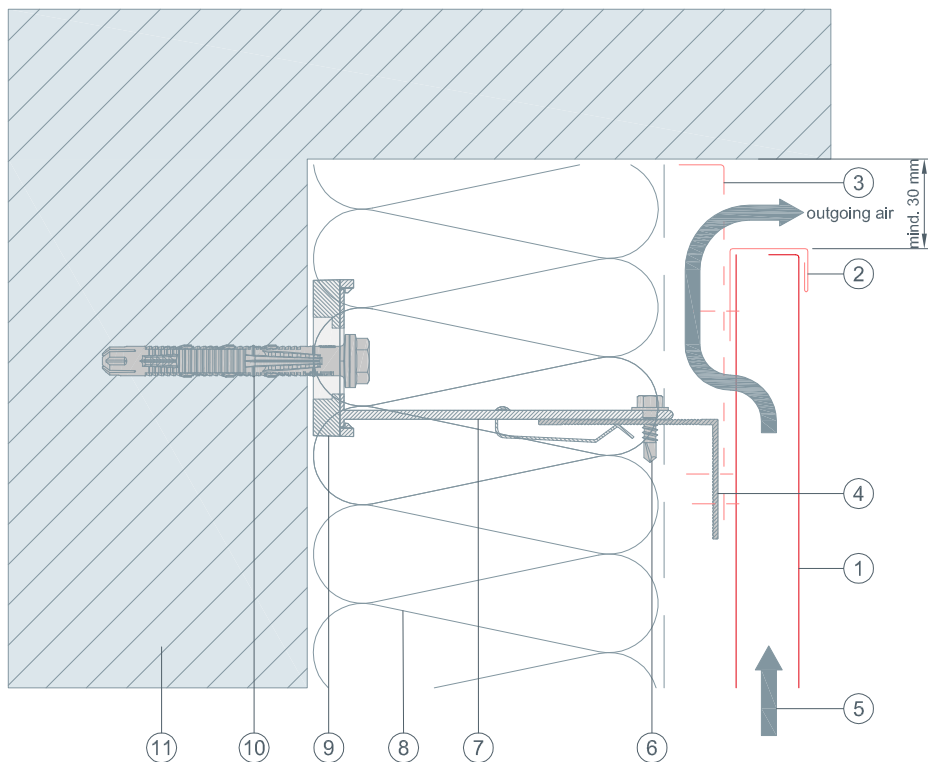


- ① SIDING & SIDING.X (vertical)
- ② insertion profile (PREFA)
- ③ drip (PREFA)
- ④ perforated plate (PREFA)
- ⑤ cover flashing
- ⑥ support profile
- ⑦ ventilation gap
- ⑧ connection screw
- ⑨ spacer bracket
- ⑩ insulation
- ⑪ thermal break
- ⑫ fastener driven into the supporting structure
- ⑬ structural substrate



STARK WIE EIN STIER

top connection vertical cross-section SIDING & SIDING.X (vertical) CAD DETAILS

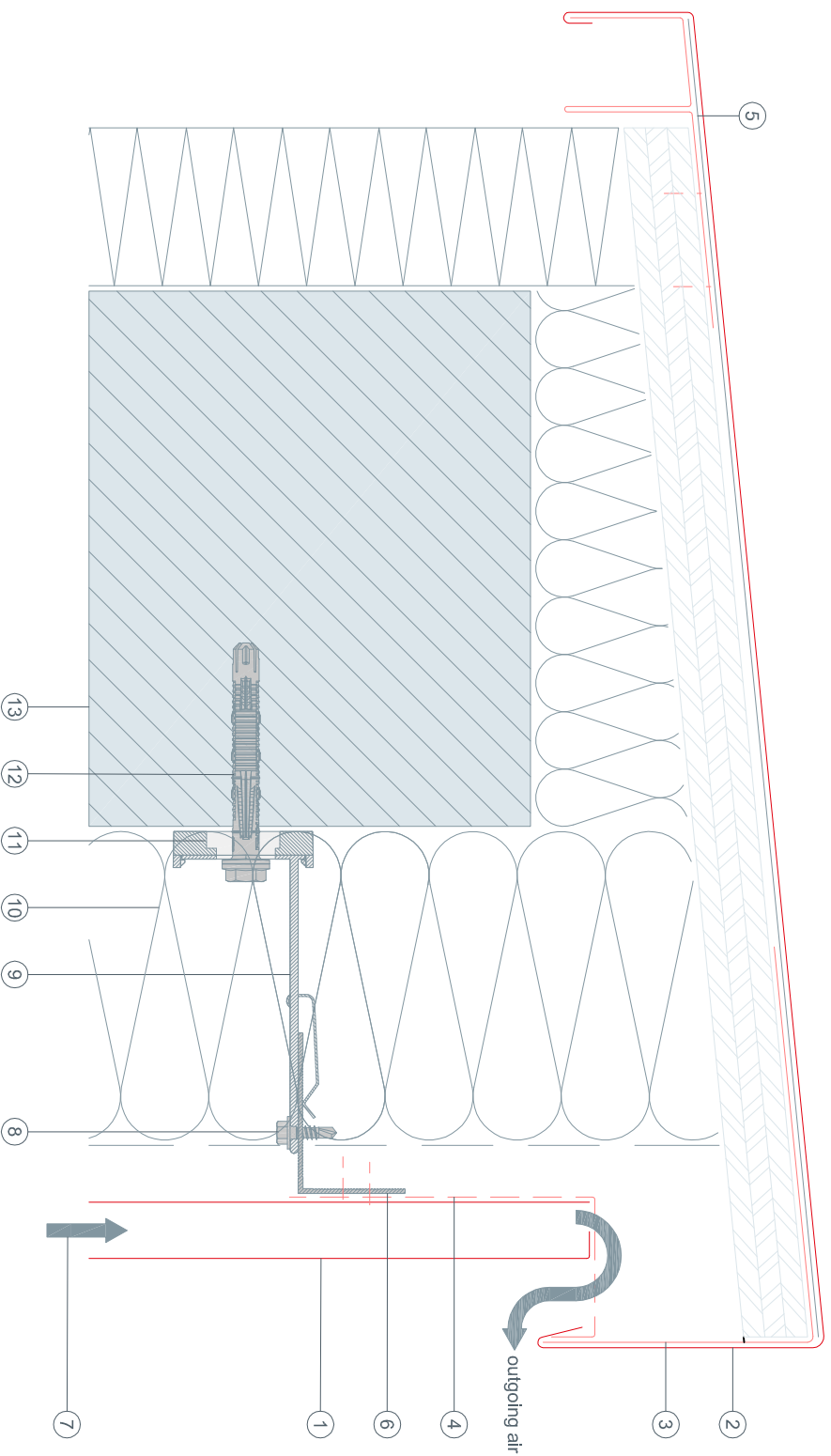


- ① SIDING & SIDING.X (vertical)
- ② channel profile (canted)
- ③ perforated metal plate (canted)
- ④ support profile
- ⑤ ventilation gap
- ⑥ connection screw
- ⑦ spacer bracket
- ⑧ insulation
- ⑨ thermal break
- ⑩ fastener driven into the supporting structure
- ⑪ structural substrate



STARK WIE EIN STIER

roof parapet vertical cross-section SIDING & SIDING.X (vertical) CAD DETAILS



- ① SIDING & SIDING.X (vertical)
- ② roof parapet flashing
- ③ cleat strip
- ④ perforated metal plate (cantiled)
- ⑤ separating layer
- ⑥ support profile
- ⑦ ventilation gap
- ⑧ connection screw
- ⑨ spacer bracket
- ⑩ insulation
- ⑪ thermal break
- ⑫ fastener driven into the supporting structure
- ⑬ structural substrate