



**STARK WIE EIN STIER**

# PREFALZ FAÇADE (horizontal)

CAD DETAILY

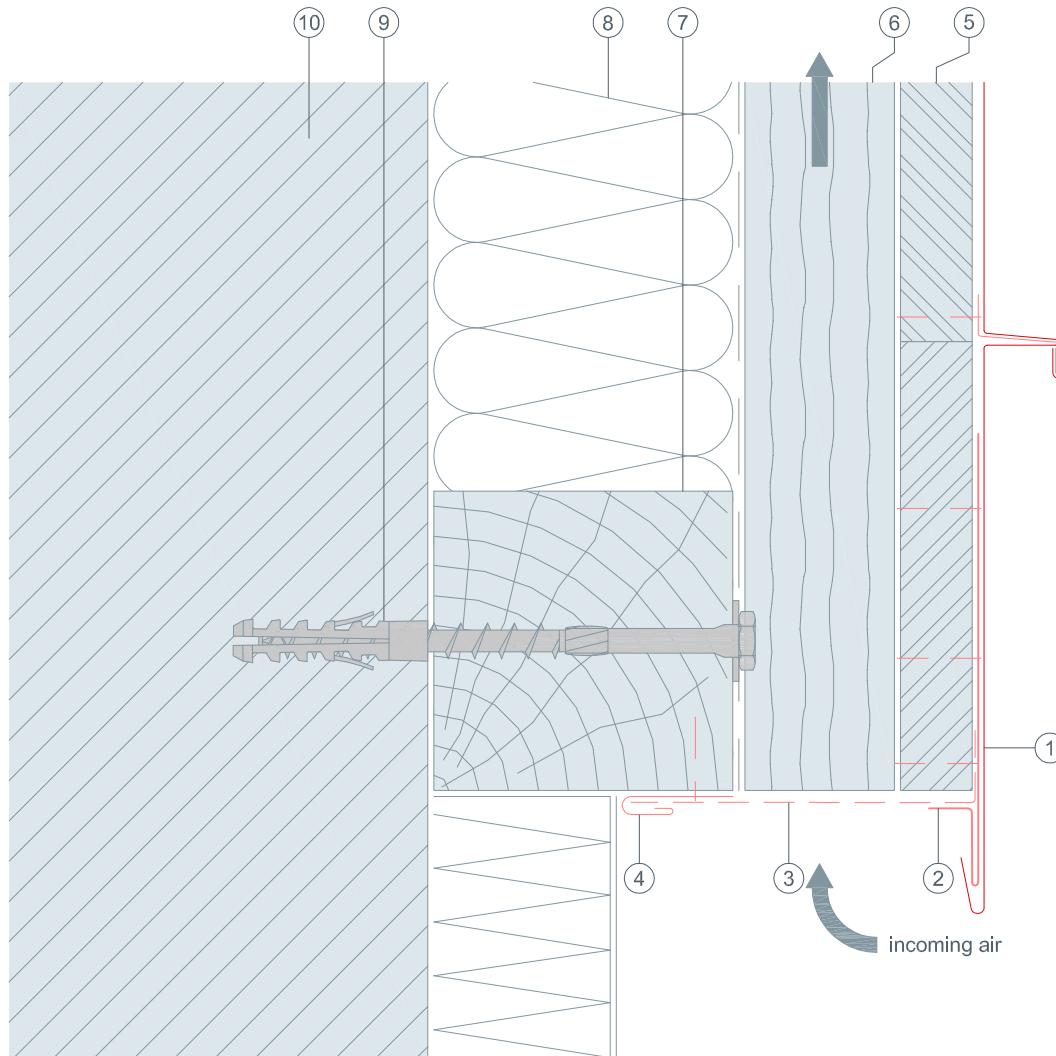
## CONTENTS:

- 2 vertical cross-section – bottom connection
- 3 horizontal cross-section – wall connection
- 4 horizontal cross-section – external corner
- 5 horizontal cross-section – internal corner
- 6 vertical cross-section – window ledge
- 7 horizontal cross-section – window reveals
- 8 vertical cross-section – window lintel
- 9 vertical cross-section – top connection
- 10 vertical cross-section – roof parapet



STARK WIE EIN STIER

# bottom connection vertical cross-section REFALZ FAÇADE (horizontal) CAD DETAILS

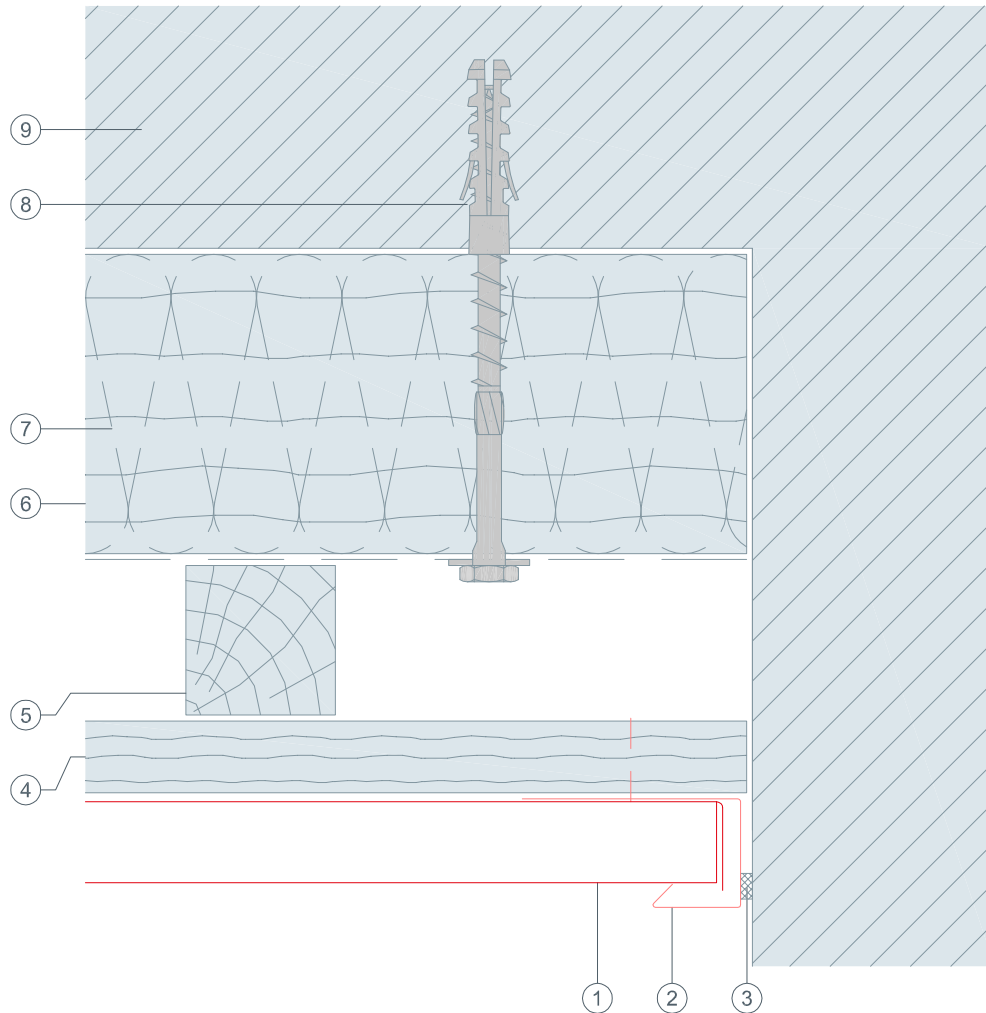


- ① PREFALZ single-lock standing seam façade (horizontal)
- ② edge cleat strip
- ③ perforated metal plate (canted)
- ④ insertion profile (PREFA)
- ⑤ solid sheathing conforming to national guidelines
- ⑥ counter batten - ventilation gap
- ⑦ nogging piece
- ⑧ insulation
- ⑨ fastener driven into the supporting structure
- ⑩ structure substrate



STARK WIE EIN STIER

# wall connection horizontal cross-section REFALZ FAÇADE (horizontal) CAD DETAILS

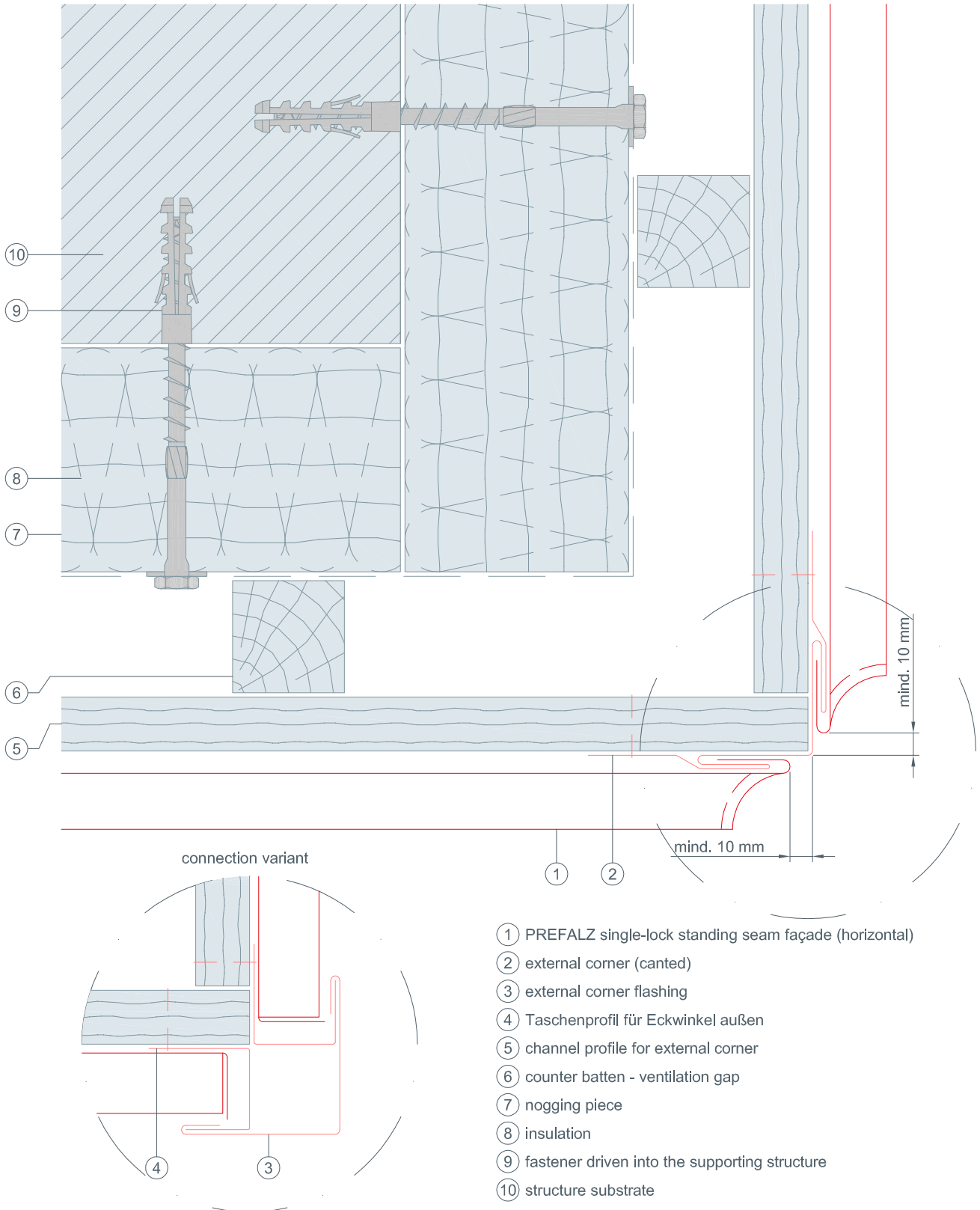


- ① PREFALZ single-lock standing seam façade (horizontal)
- ② channel profile (canted)
- ③ sealing tape
- ④ solid sheathing conforming to national guidelines
- ⑤ counter batten - ventilation gap
- ⑥ nogging piece
- ⑦ insulation
- ⑧ fastener driven into the supporting structure
- ⑨ structure substrate



STARK WIE EIN STIER

# external corner horizontal cross-section REFALZ FAÇADE (horizontal) CAD DETAILS

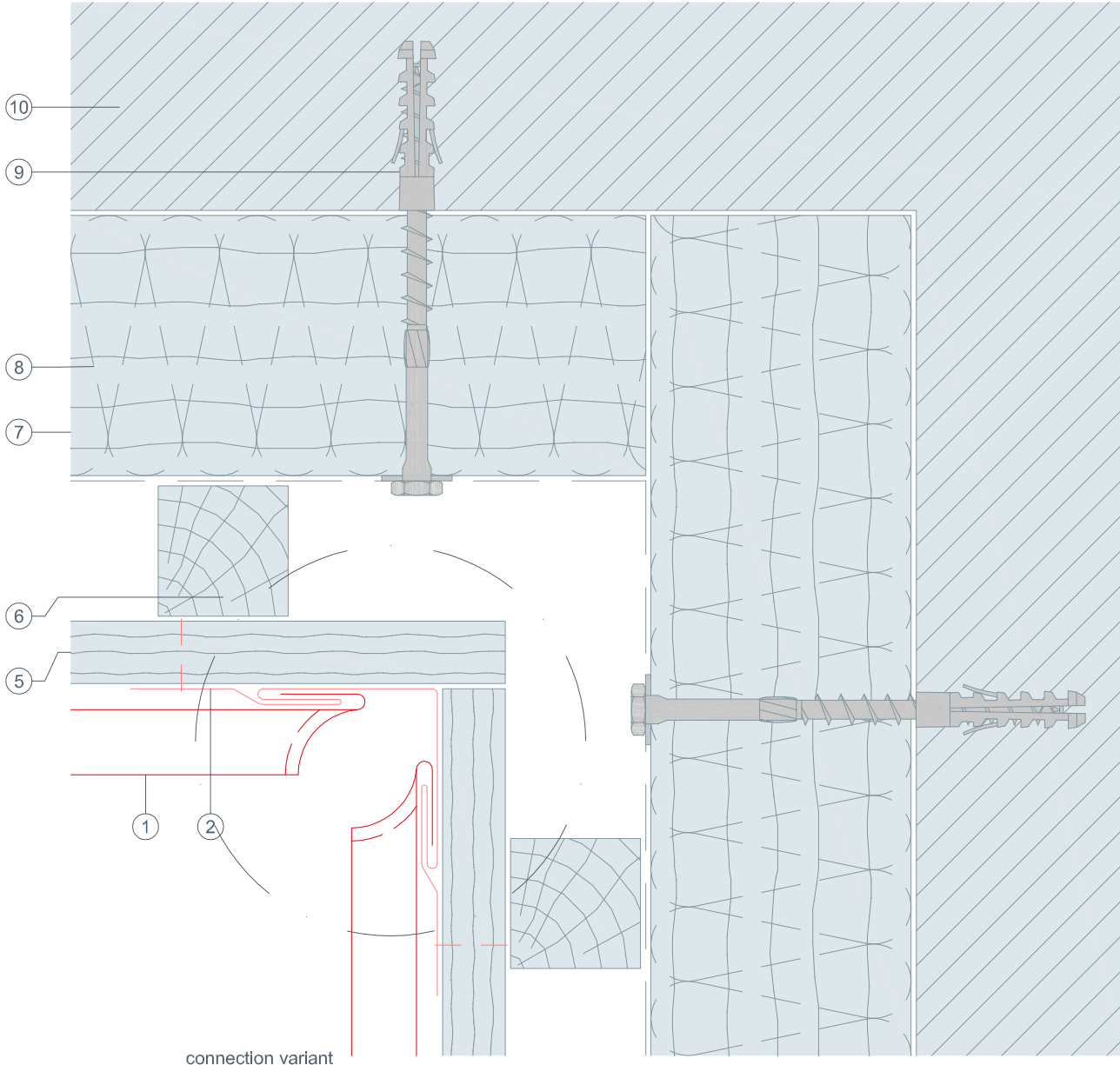


- ① PREFALZ single-lock standing seam façade (horizontal)
- ② external corner (canted)
- ③ external corner flashing
- ④ Taschenprofil für Eckwinkel außen
- ⑤ channel profile for external corner
- ⑥ counter batten - ventilation gap
- ⑦ nogging piece
- ⑧ insulation
- ⑨ fastener driven into the supporting structure
- ⑩ structure substrate

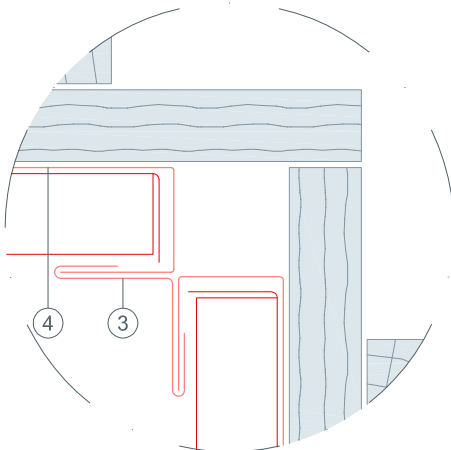


STARK WIE EIN STIER

# internal corner horizontal cross-section REFALZ FAÇADE (horizontal) CAD DETAILS



connection variant



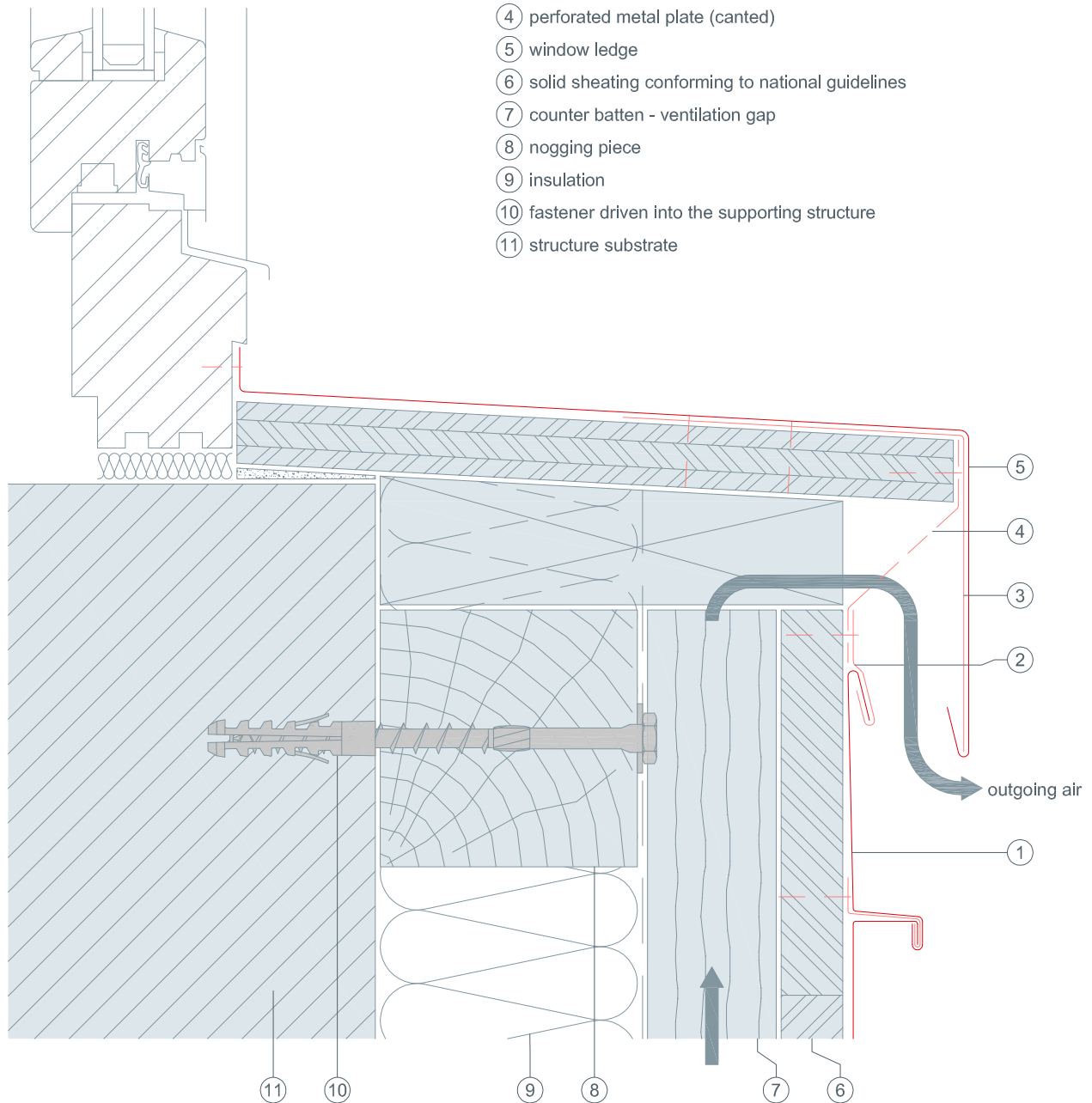
- ① PREFALZ single-lock standing seam façade (horizontal)
- ② internal corner (canted)
- ③ internal corner flashing
- ④ channel profile for internal corner
- ⑤ solid sheathing conforming to national guidelines
- ⑥ counter batten - ventilation gap
- ⑦ nogging piece
- ⑧ insulation
- ⑨ fastener driven into the supporting structure
- ⑩ structure substrate



STARK WIE EIN STIER

# window ledge vertical cross-section PREFALZ FAÇADE (horizontal) CAD DETAILS

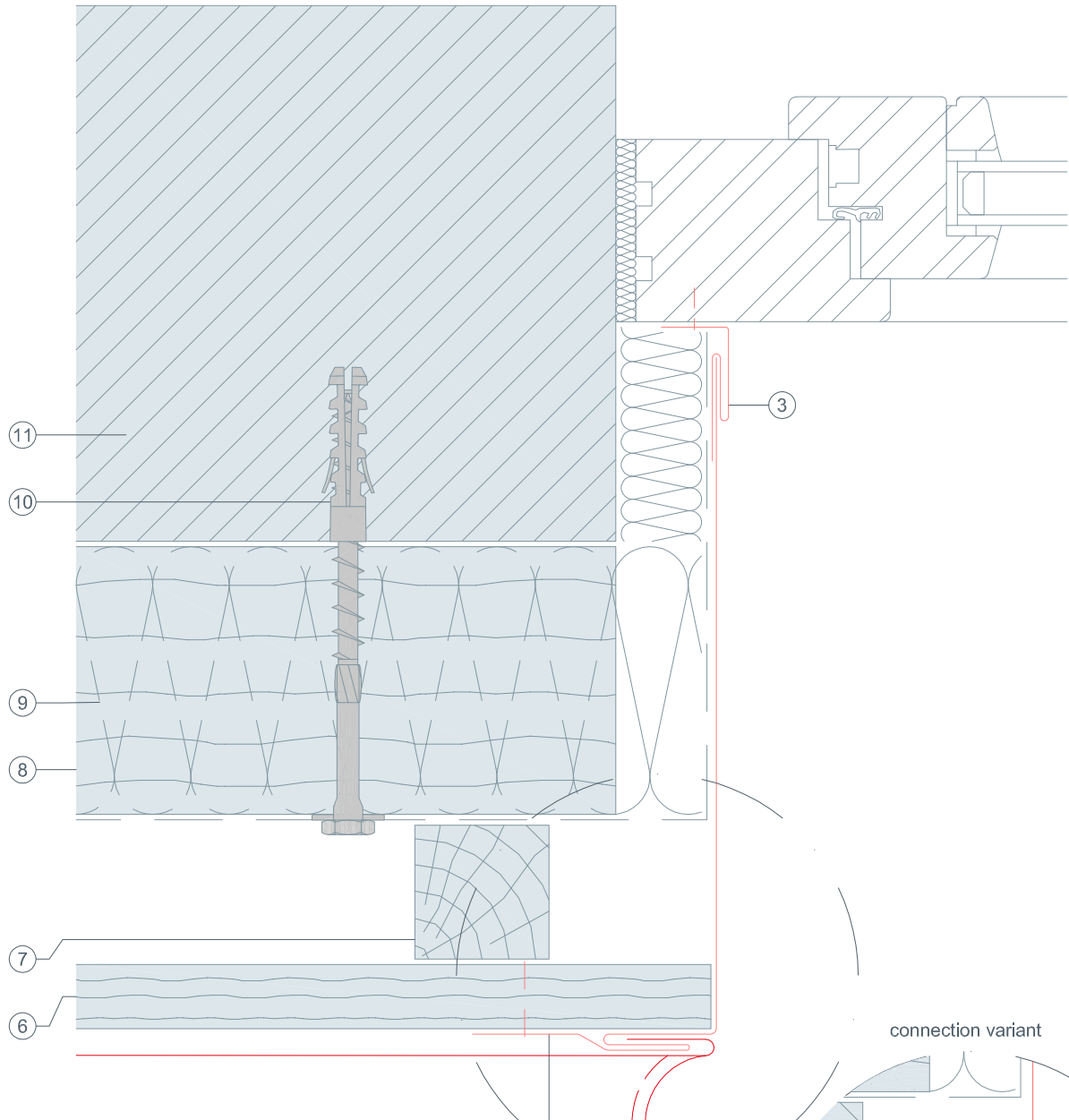
- ① PREFALZ single-lock standing seam façade (horizontal)
- ② clip
- ③ window ledge flashing strip
- ④ perforated metal plate (canted)
- ⑤ window ledge
- ⑥ solid sheathing conforming to national guidelines
- ⑦ counter batten - ventilation gap
- ⑧ noggling piece
- ⑨ insulation
- ⑩ fastener driven into the supporting structure
- ⑪ structure substrate



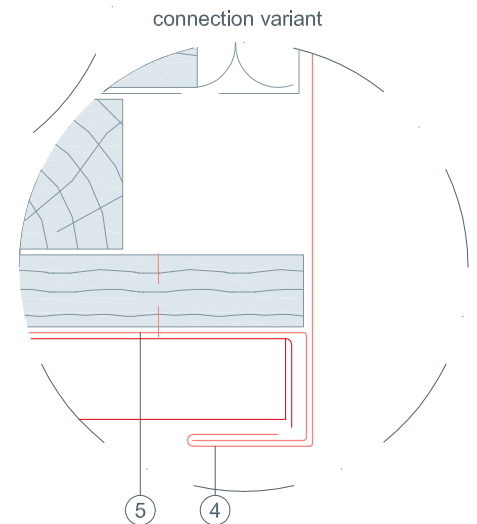


STARK WIE EIN STIER

# window reveals horizontal cross-section REFALZ FAÇADE (horizontal) CAD DETAILS



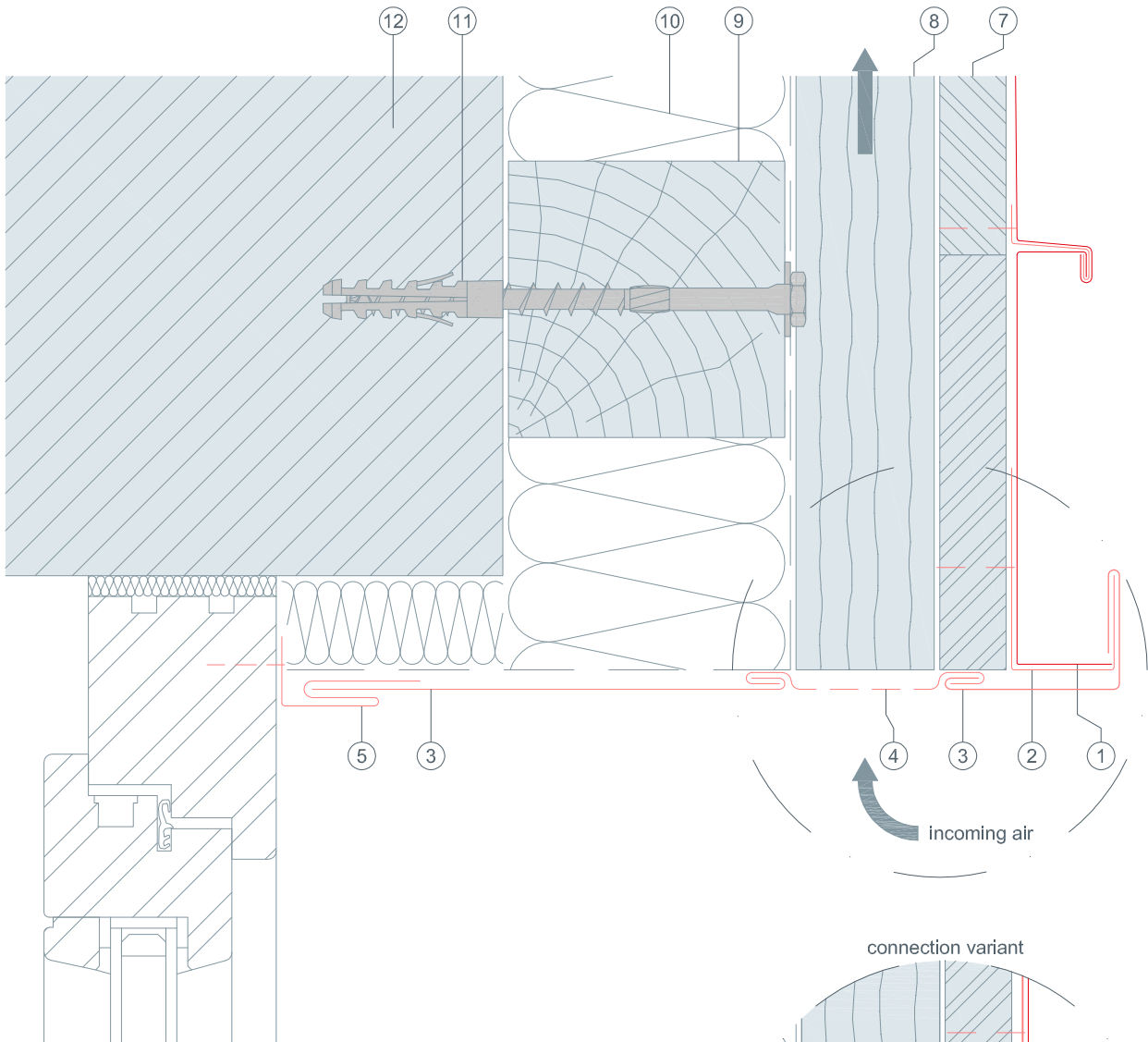
- ① PREFALZ single-lock standing seam façade (horizontal)
- ② jamb flashing
- ③ insertion profile (PREFA)
- ④ jamb flashing — variant 1
- ⑤ channel profile
- ⑥ solid sheathing conforming to national guidelines
- ⑦ counter batten - ventilation gap
- ⑧ nogging piece
- ⑨ insulation
- ⑩ fastener driven into the supporting structure
- 11 structure substrate



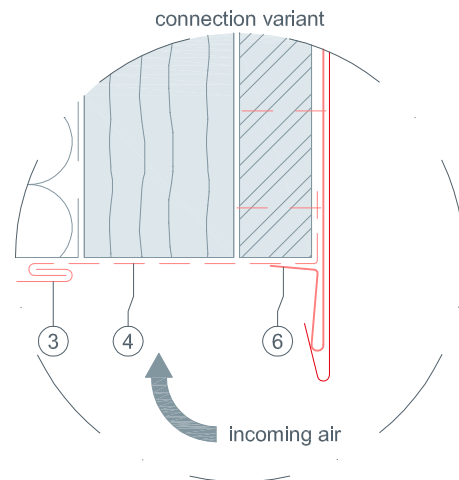


STARK WIE EIN STIER

# window lintel vertical cross-section REFALZ FAÇADE (horizontal) CAD DETAILS



- ① PREFALZ single-lock standing seam façade (horizontal)
- ② channel profile
- ③ cover flashing
- ④ perforated metal plate (canted)
- ⑤ insertion profile (PREFA)
- ⑥ edge cleat strip
- ⑦ solid sheathing conforming to national guidelines
- ⑧ counter batten - ventilation gap
- ⑨ noggings
- ⑩ insulation
- ⑪ fastener driven into the supporting structure
- ⑫ structure substrate

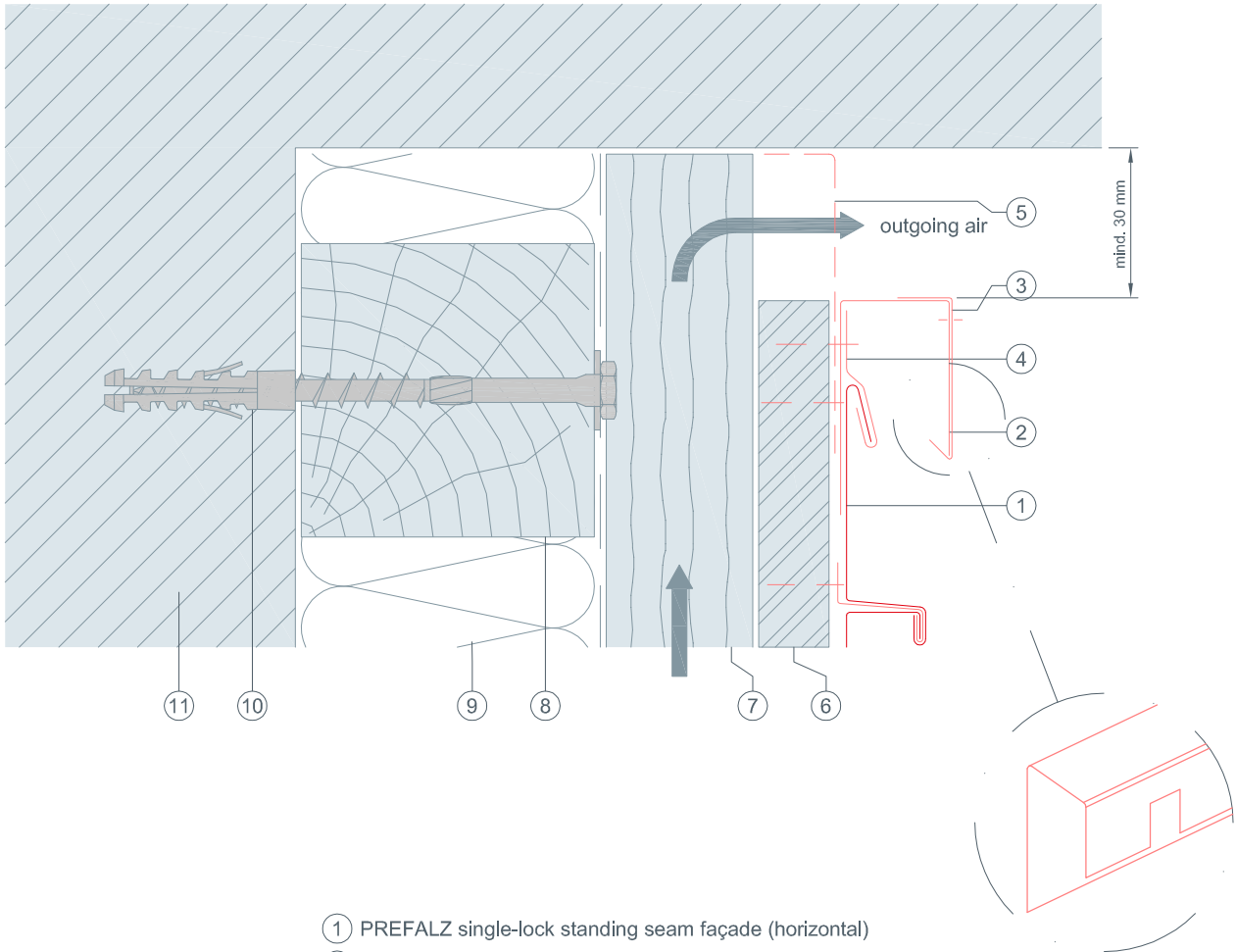






STARK WIE EIN STIER

# top connection vertical cross-section PREFALZ FAÇADE (horizontal) CAD DETAILS



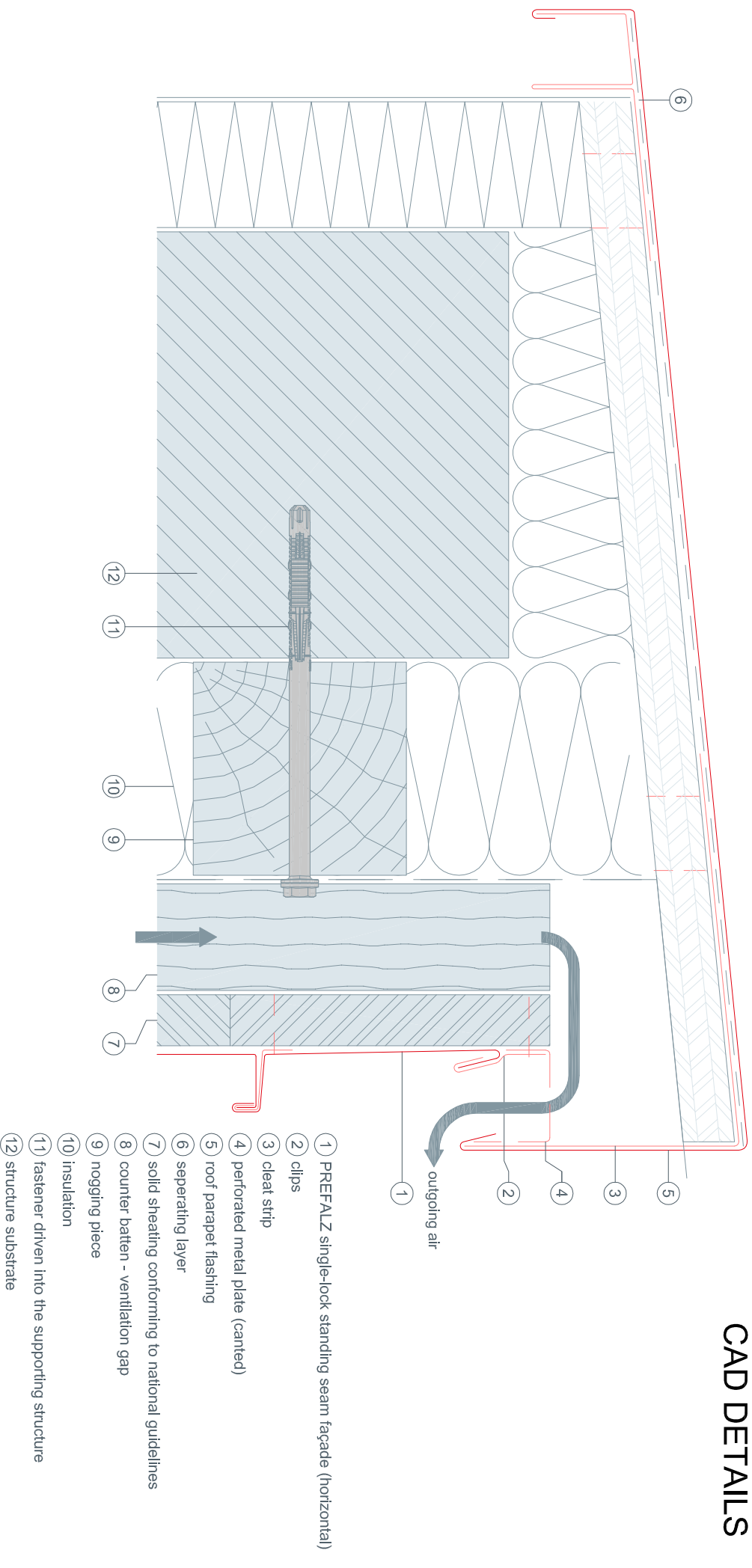
- ① PREFALZ single-lock standing seam façade (horizontal)
- ② channel profile
- ③ closing profile
- ④ clip
- ⑤ perforated metal plate (canted)
- ⑥ solid sheathing conforming to national guidelines
- ⑦ counter batten - ventilation gap
- ⑧ nogging piece
- ⑨ insulation
- ⑩ fastener driven into the supporting structure
- ⑪ structure substrate



STARK WIE EIN STIER

# roof parapet vertical cross-section PREFALZ FAÇADE (horizontal)

## CAD DETAILS





**STARK WIE EIN STIER**

# PREFALZ FAÇADE (horizontal)

CAD DETAILY

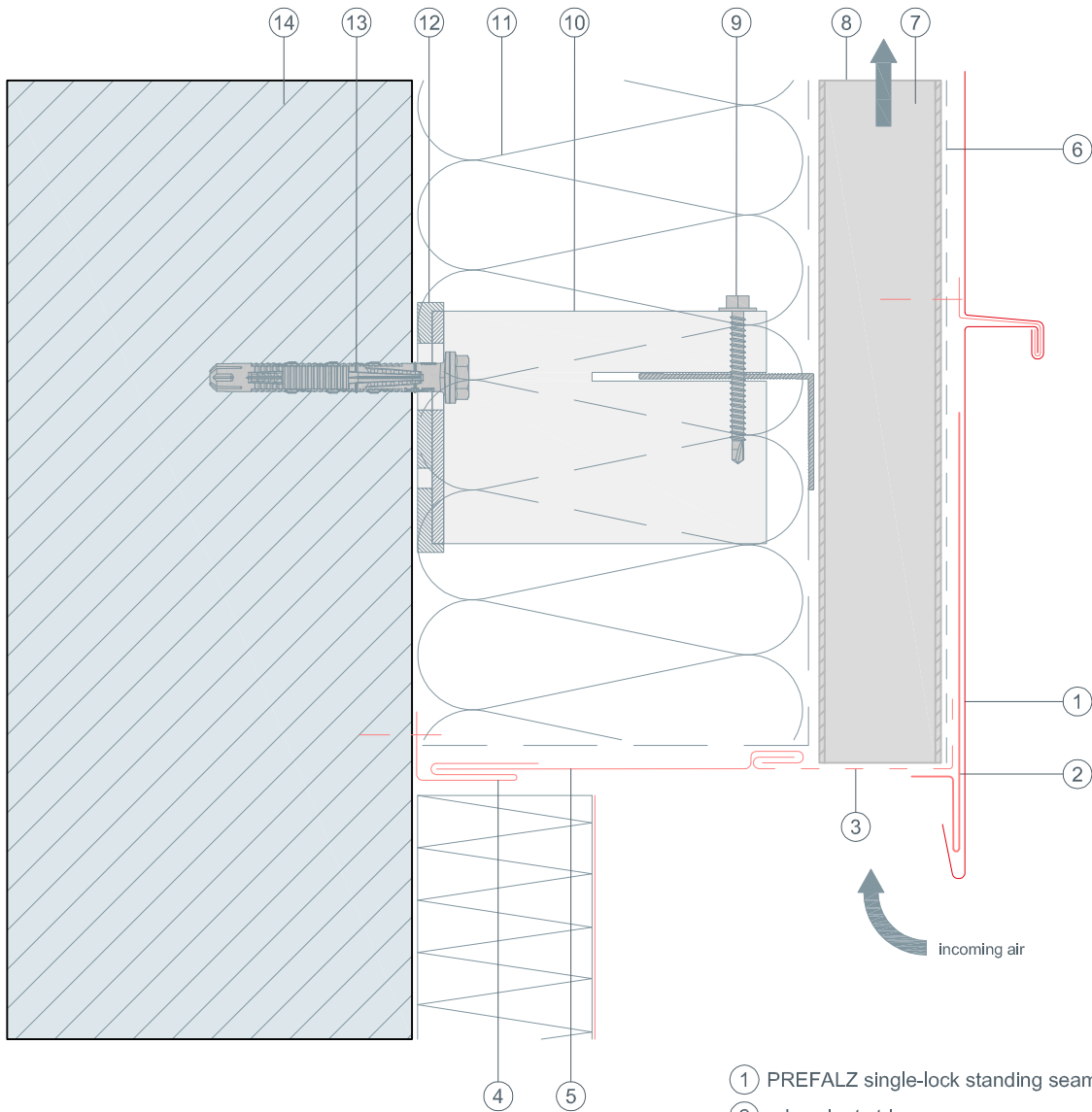
## CONTENTS:

- 12 vertical cross-section – bottom connection
- 13 horizontal cross-section – wall connection
- 14 horizontal cross-section – external corner
- 15 horizontal cross-section – internal corner
- 16 vertical cross-section – window ledge
- 17 horizontal cross-section – window reveals
- 18 vertical cross-section – window lintel
- 19 vertical cross-section – top connection
- 20 vertical cross-section – roof parapet



STARK WIE EIN STIER

# bottom connection vertical cross-section PREFALZ FAÇADE (horizontal) CAD DETAILS

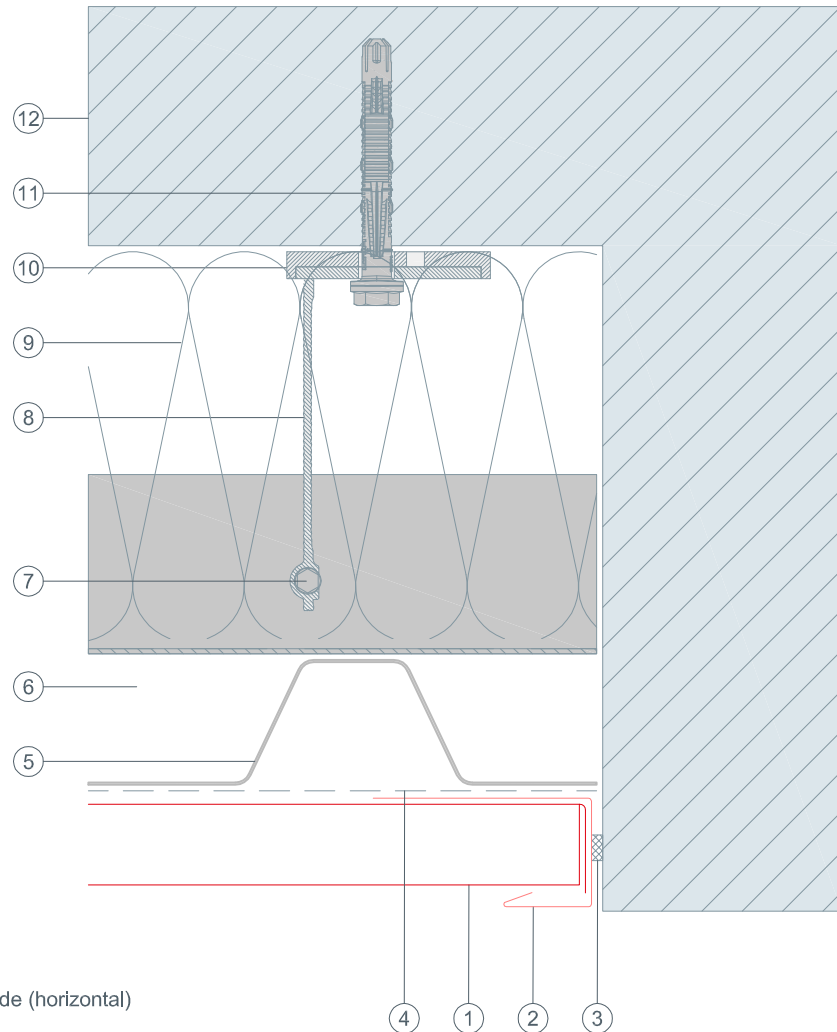


- ① PREFALZ single-lock standing seam façade (horizontal)
- ② edge cleat strip
- ③ perforated metal plate (canted)
- ④ insertion profile (PREFA)
- ⑤ cover flashing
- ⑥ separating layer
- ⑦ trapezoidal sheet
- ⑧ ventilation gap
- ⑨ connection screw
- ⑩ spacer bracket
- ⑪ insulation
- ⑫ thermal break
- ⑬ fastener driven into the supporting structure
- ⑭ structure substrate



STARK WIE EIN STIER

# wall connection horizontal cross-section REFALZ FAÇADE (horizontal) CAD DETAILS

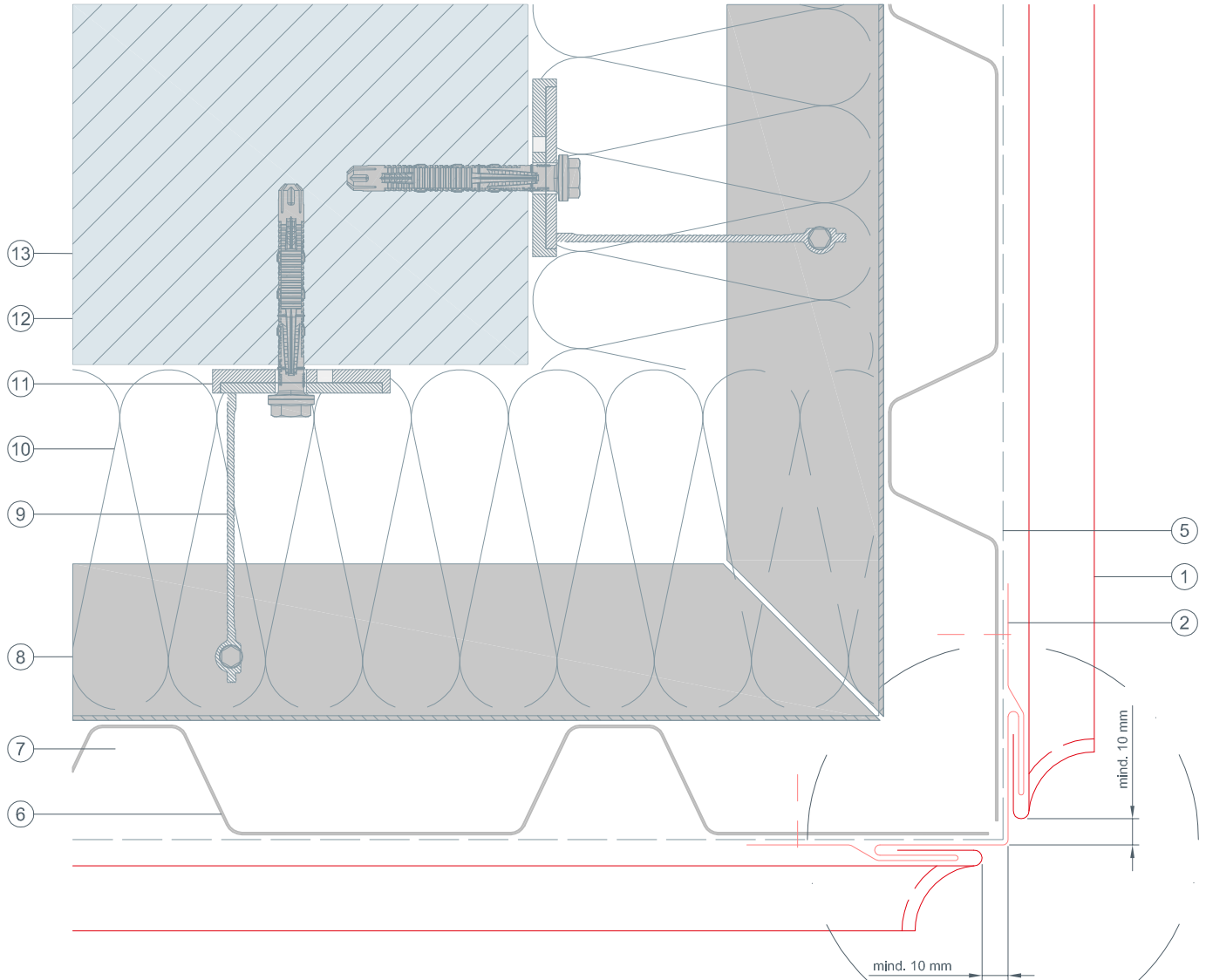


- ① REFALZ single-lock standing seam façade (horizontal)
- ② channel profile (canted)
- ③ sealing tape
- ④ separating layer
- ⑤ trapezoidal sheet
- ⑥ ventilation gap
- ⑦ connection screw
- ⑧ spacer bracket
- ⑨ insulation
- ⑩ thermal break
- ⑪ fastener driven into the supporting structure
- ⑫ structural substrate

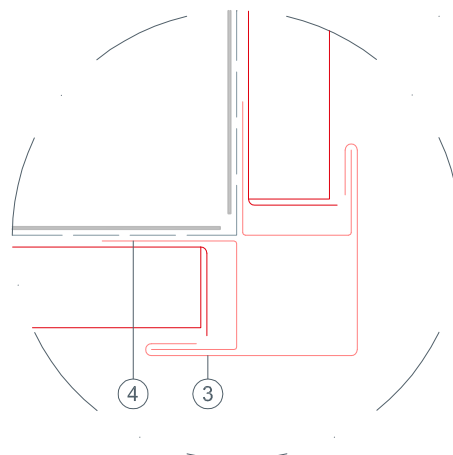


STARK WIE EIN STIER

# external corner horizontal cross-section REFALZ FAÇADE (horizontal) CAD DETAILS



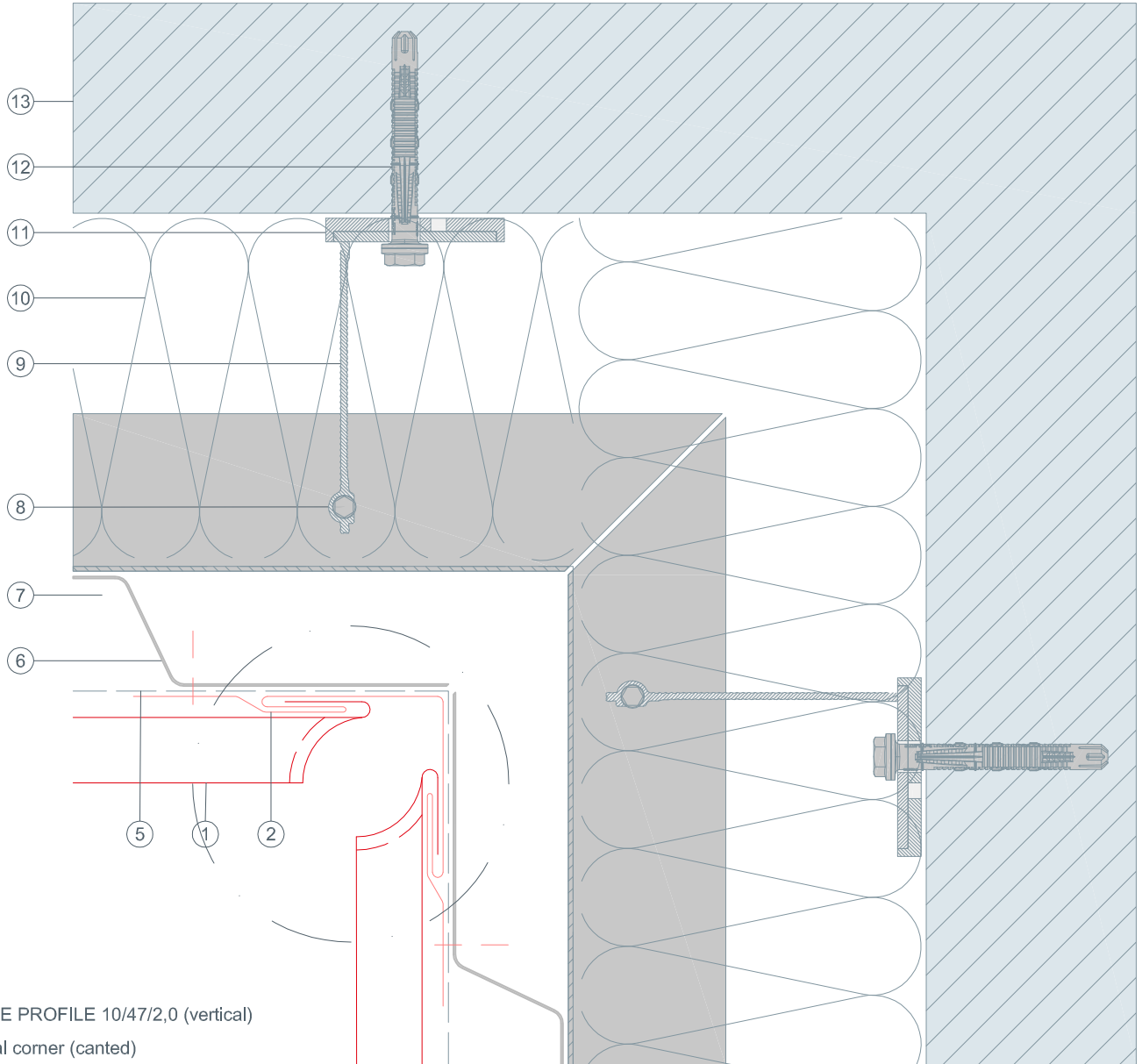
- ① REFALZ single-lock standing seam façade (horizontal)
- ② external corner (canted)
- ③ external corner flashing
- ④ channel profile for external corner
- ⑤ separating layer
- ⑥ trapezoidal sheet
- ⑦ ventilation gap
- ⑧ connection screw
- ⑨ spacer bracket
- ⑩ insulation
- ⑪ thermal break
- ⑫ fastener driven into the supporting structure
- ⑬ structural substrate





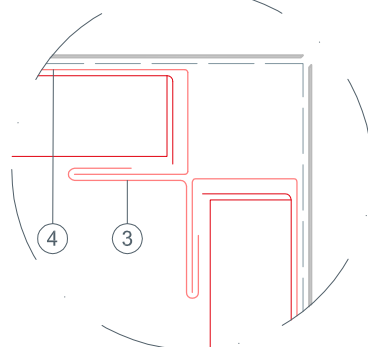
STARK WIE EIN STIER

# internal corner horizontal cross-section REFALZ FAÇADE (horizontal) CAD DETAILS



- ① RIPPLE PROFILE 10/47/2,0 (vertical)
- ② internal corner (canted)
- ③ internal corner flashing
- ④ channel profile for internal corner
- ⑤ separating layer
- ⑥ trapezoidal sheet
- ⑦ ventilation gap
- ⑧ connection screw
- ⑨ spacer bracket
- ⑩ insulation
- ⑪ thermal break
- ⑫ fastener driven into the supporting structure
- ⑬ structural substrate

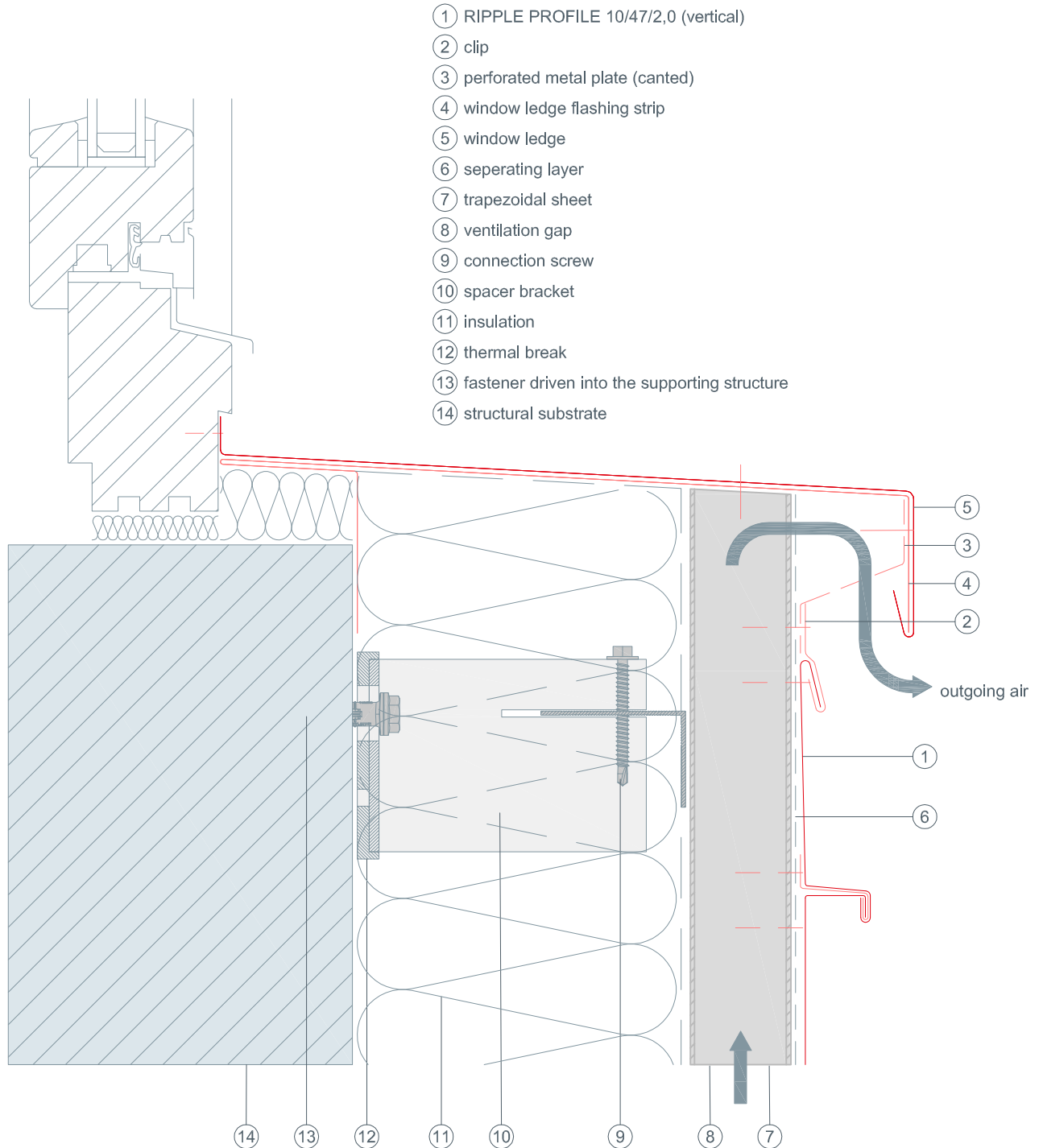
connection variant





STARK WIE EIN STIER

# window ledge vertical cross-section PREFALZ FAÇADE (horizontal) CAD DETAILS

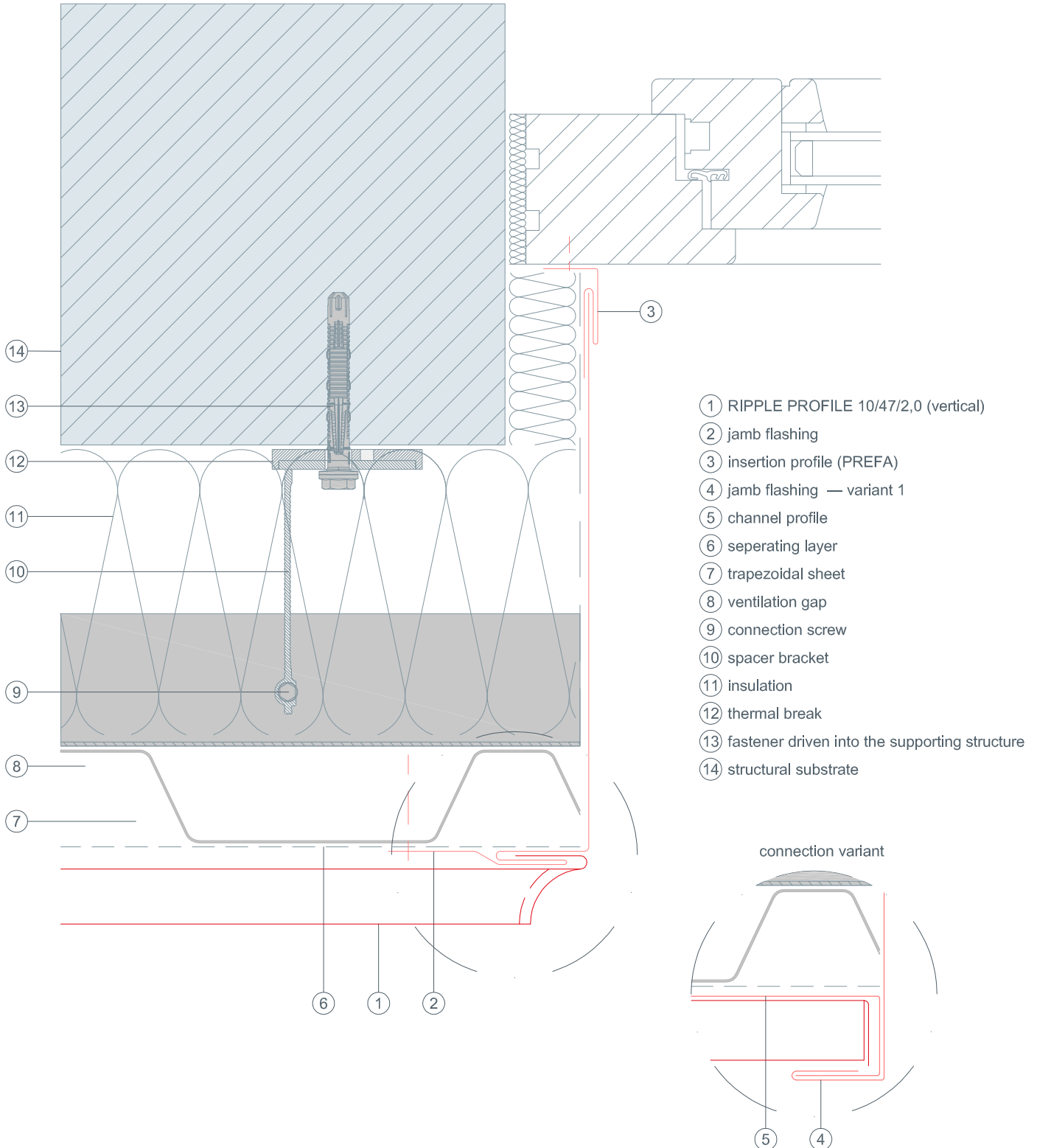






STARK WIE EIN STIER

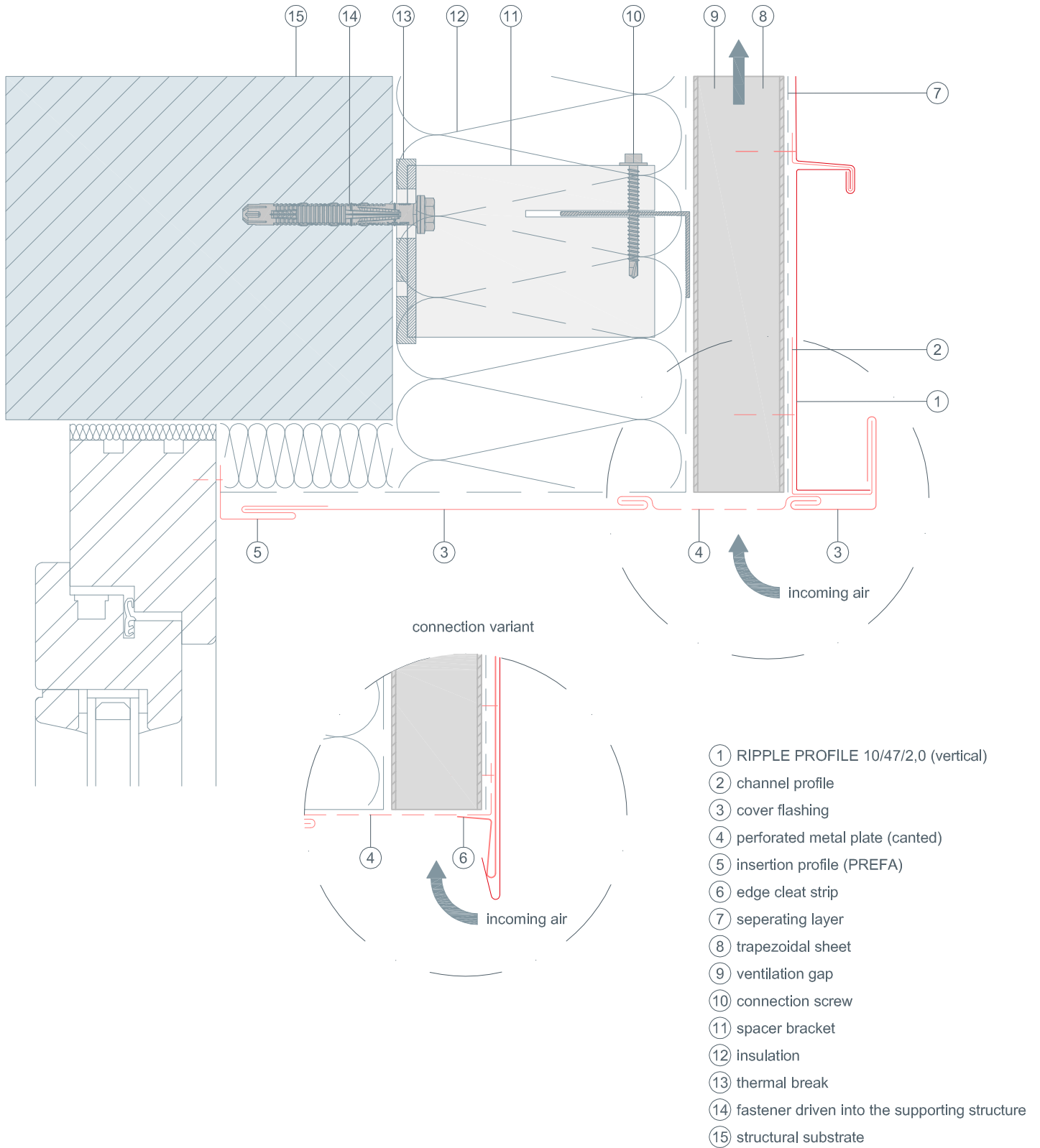
# window reveals horizontal cross-section REFALZ FAÇADE (horizontal) CAD DETAILS





STARK WIE EIN STIER

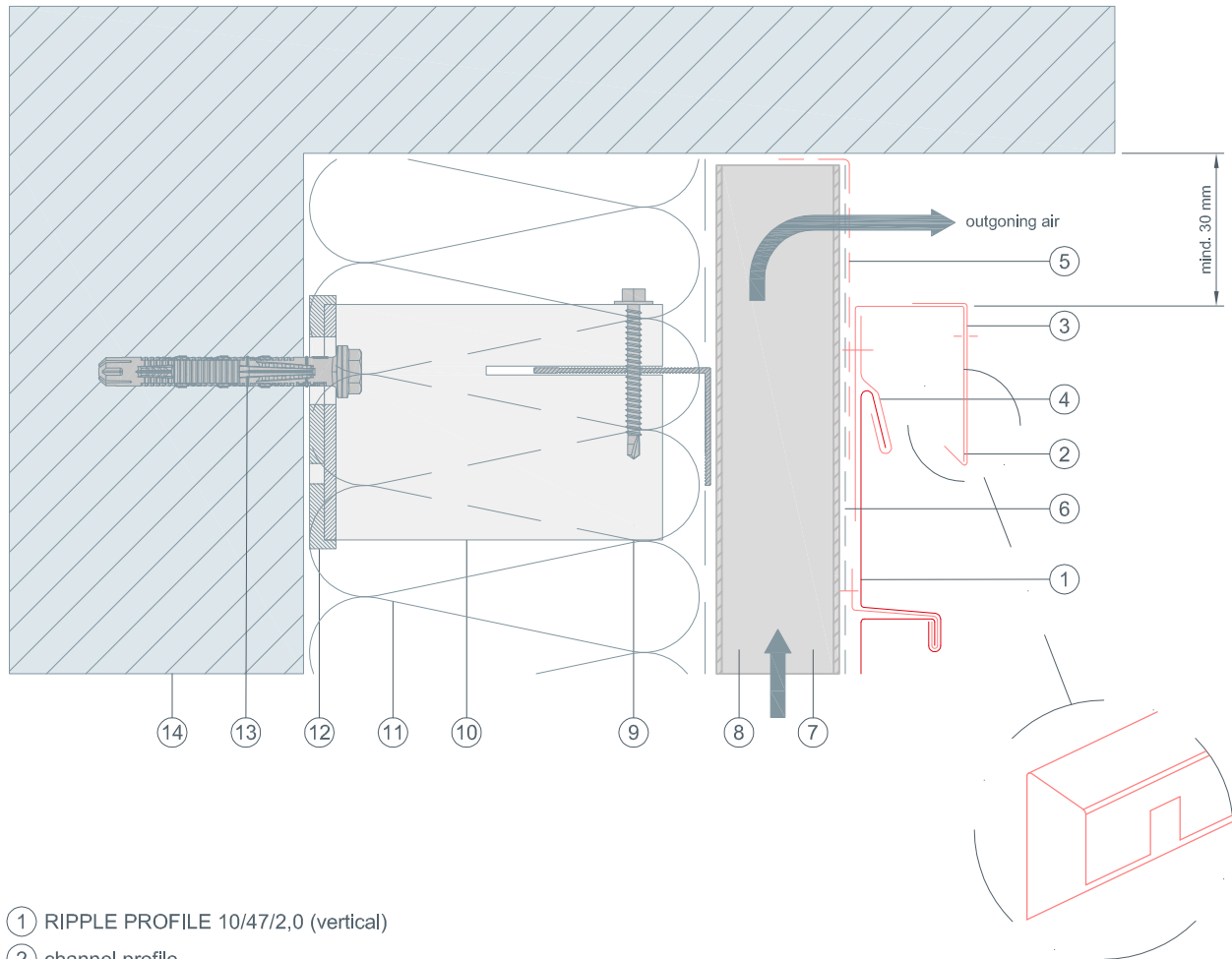
# window lintel vertical cross-section REFALZ FAÇADE (horizontal) CAD DETAILS





STARK WIE EIN STIER

# top connection vertical cross-section PREFALZ FAÇADE (horizontal) CAD DETAILS



- ① RIPPLE PROFILE 10/47/2,0 (vertical)
- ② channel profile
- ③ closing profile
- ④ clip
- ⑤ perforated metal plate (canted)
- ⑥ separating layer
- ⑦ trapezoidal sheet
- ⑧ ventilation gap
- ⑨ connection screw
- ⑩ spacer bracket
- ⑪ insulation
- ⑫ thermal break
- ⑬ fastener driven into the supporting structure
- ⑭ structural substrate



STARK WIE EIN STIER

# roof parapet vertical cross-section PREFALZ FAÇADE (horizontal)

## CAD DETAILS

