



PREFA FLOOD PROTECTION SYSTEM

INSTALLATION INSTRUCTIONS



CONTENTS | PREFAB FLOOD PROTECTION SYSTEM

03 **CHECKING AND PREPARING**

04-05 **MOUNTING OPTION: FITTED IN FRONT OF THE REVEAL**



06-07 **MOUNTING OPTION: FITTED FLUSH IN THE REVEAL**



08-09 **MOUNTING OPTION: FITTED IN THE REVEAL**



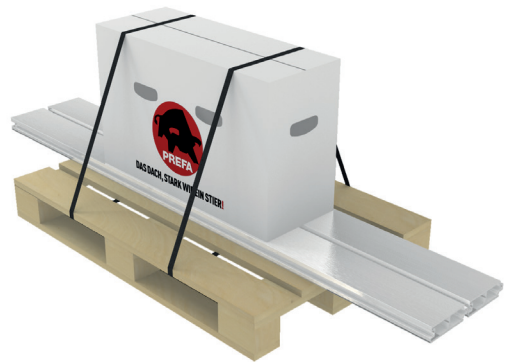
10 **INSTALLING THE GROUND SLEEVE**
INSTALLING THE CENTRE COLUMN

11 **SYSTEM OVERVIEW**

CHECKING THE PRODUCTS

1

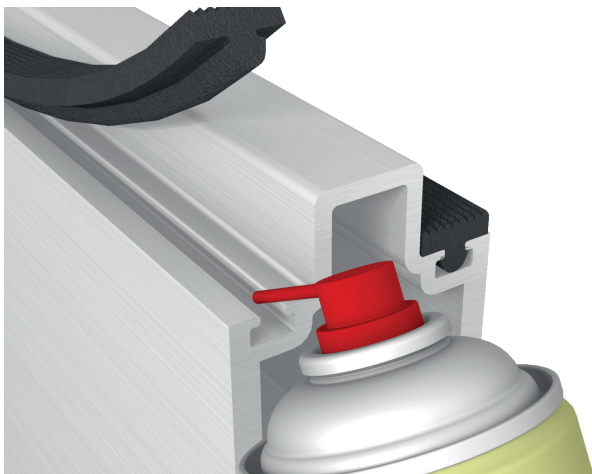
Make sure that the delivery is complete and check for any damages that could have arisen during shipment. Store the products in a dry place with the ground seals in their rolled-out state (see point 14).



PREPARING THE BARRIER PANELS

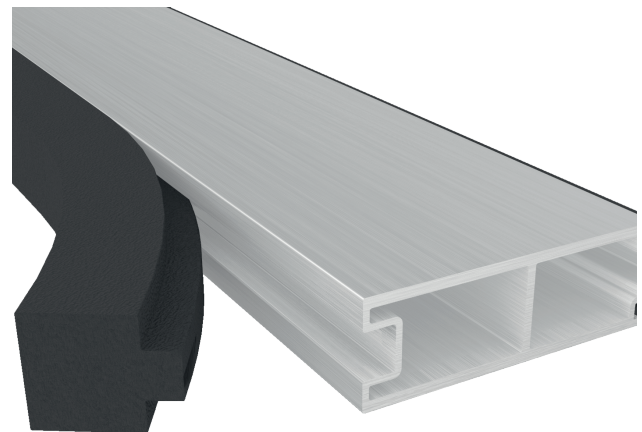
2

Push the barrier panel seals into the two grooves on top of the barrier panel. Use a silicone spray or similar lubricant to help you fit the seals in place.



3

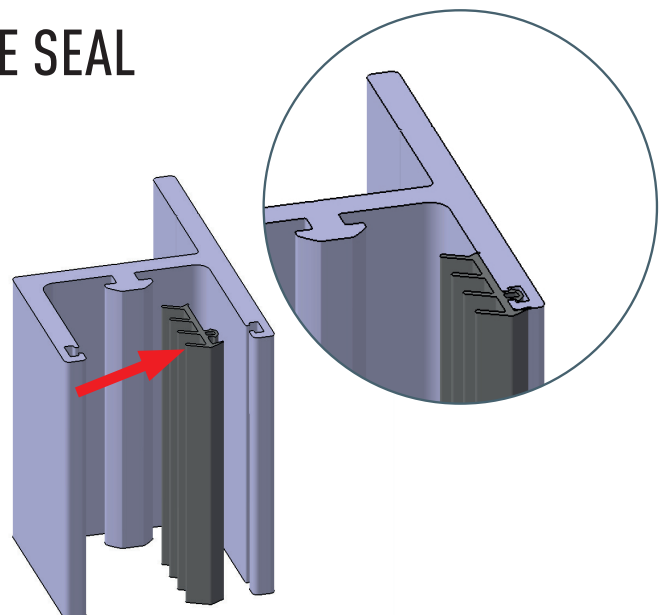
Attach the ground seal to the underside of the barrier panels. Once you have fitted the seals, prevent soiling by storing the barrier panels in the storage box, for example.



ATTACHING THE BASIC PROFILE SEAL

4

Press the basic profile seal into the groove designed for the purpose. Do not use silicone spray in this case.



MOUNTING OPTION: FITTED IN FRONT OF THE REVEAL

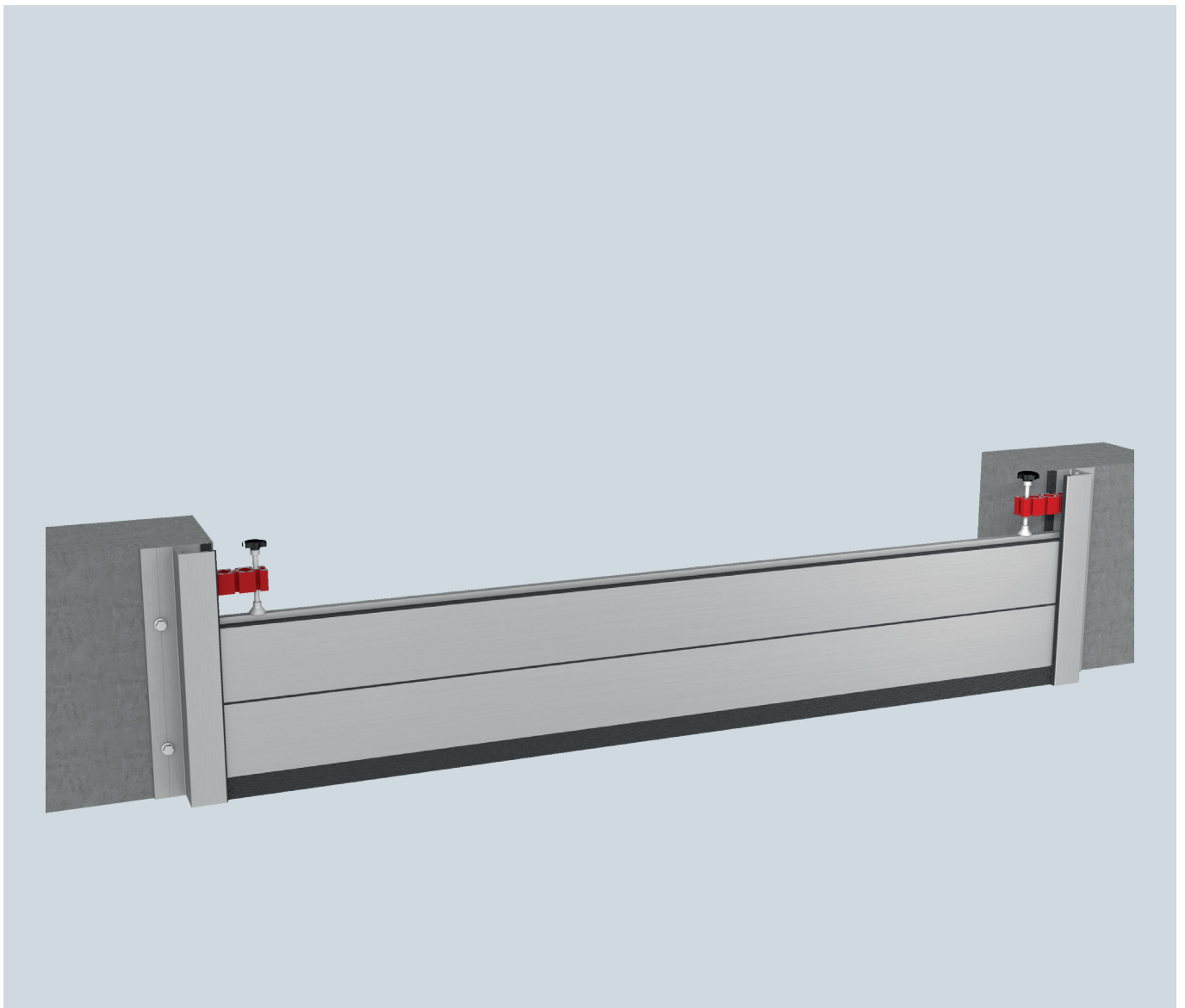
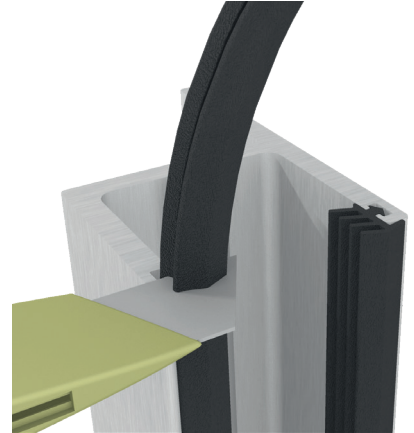
(OR AS AN ALTERNATIVE, BEHIND THE REVEAL)

5

Cut the excess profile seal to the required length. To do so, cut the seal at right angles to the underside of the profile.

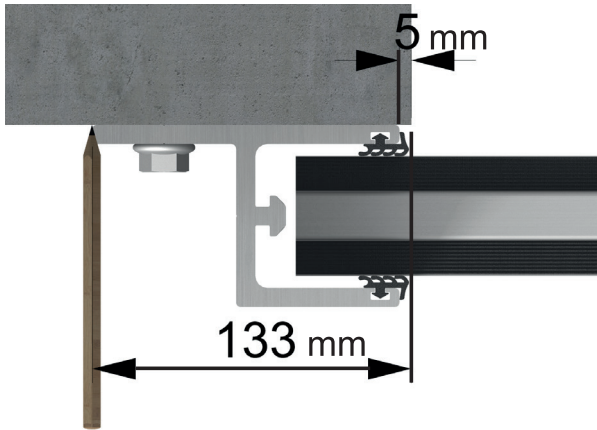
Note: the seal may expand when being fitted into the groove. Therefore, we recommend that you allow it to return to its normal shape before cutting it, otherwise you may cut it too short.

Make sure that the seal fits tightly along the floor.



6

On the wall, mark a measuring point at a distance of 133 mm to the edge.



7

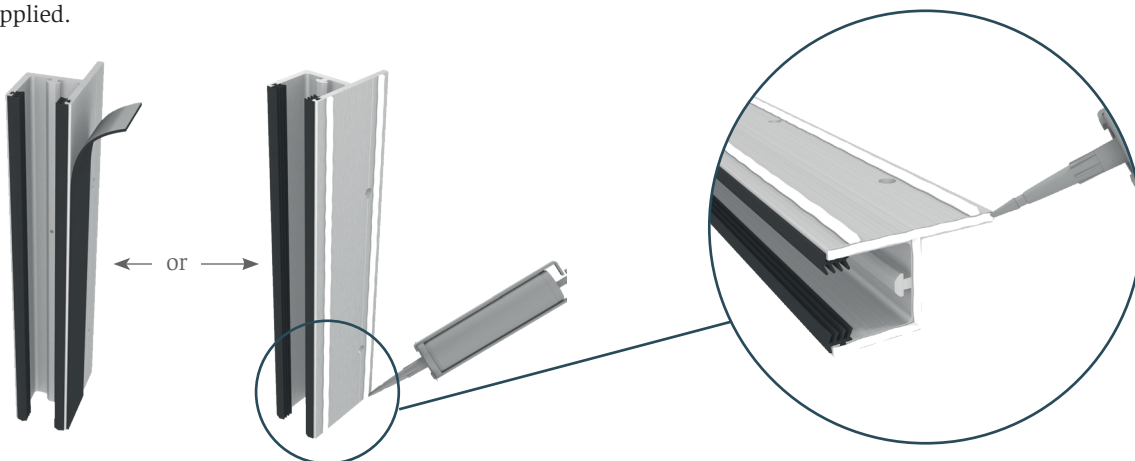
Align the outer edge of the basic profile vertically with the measuring point (see figure 6), mark and pre-drill the drill holes. Prior to mounting the basic profile, eliminate any unevenness to ensure that it fits tightly against the wall or floor. To prevent strain, only screw onto flat surfaces.



8

Apply sealing tape (or silicone bead) to the rear of the basic profile. If the profile is to come into direct contact with concrete, a separating layer or coat of paint must be applied.

Apply silicone bead to the underside of the basic profile.



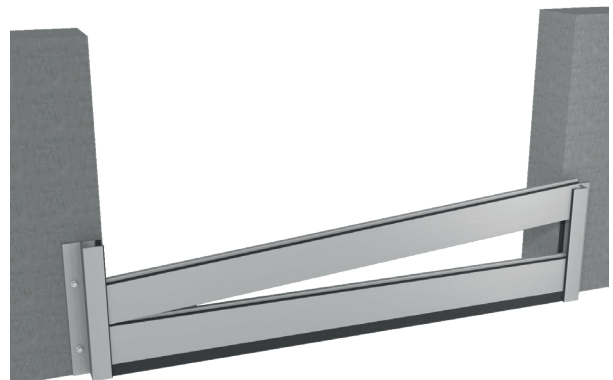
9

Fix in place using suitable fasteners (\varnothing 12) depending on the static requirements (dowel, threaded rod, etc.).

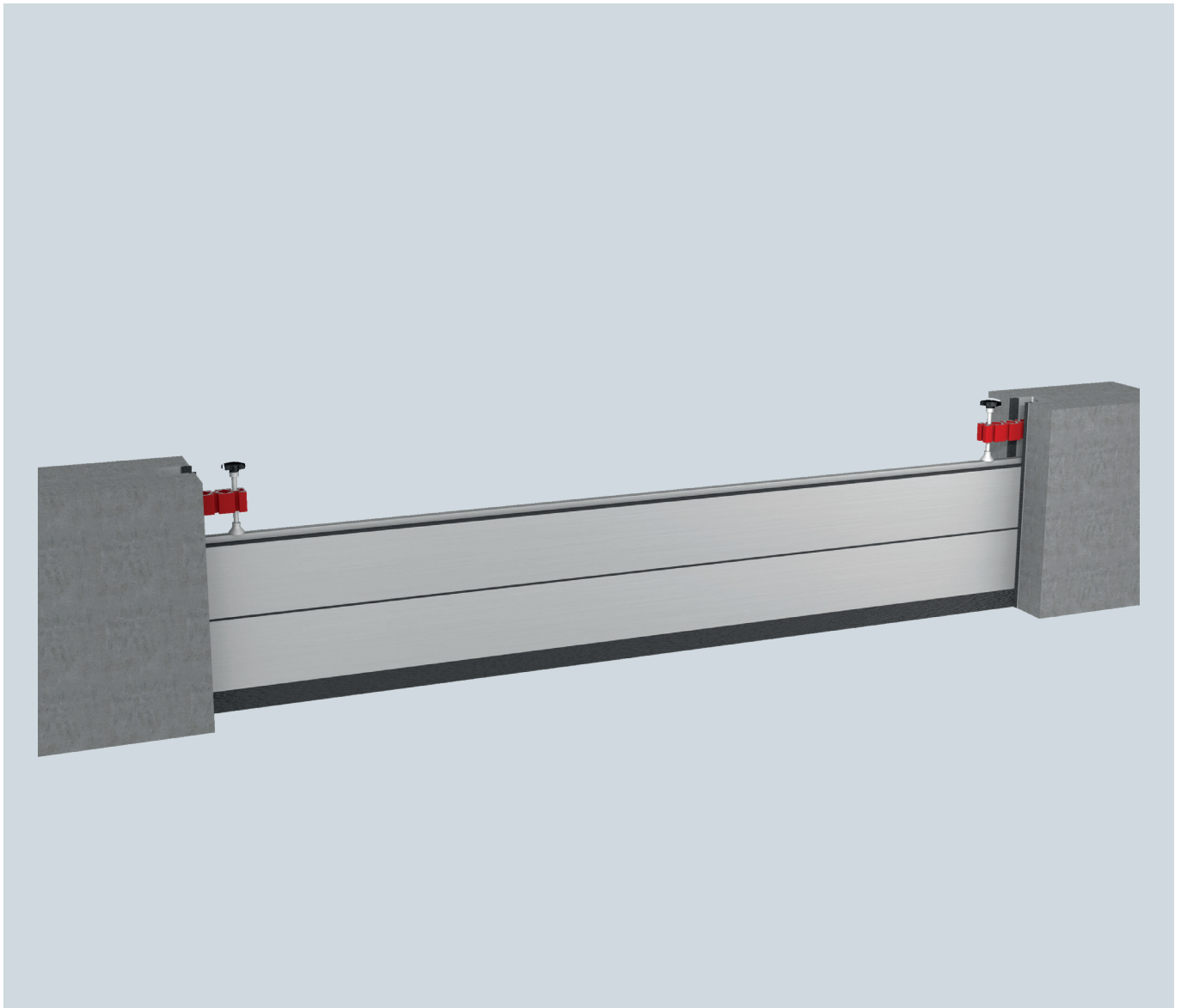


10

Inserting the barrier panels diagonally facilitates assembly (use silicone spray or a similar lubricant as a mounting aid).

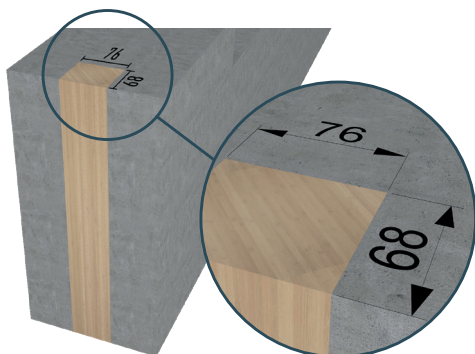


MOUNTING OPTION: FITTED FLUSH IN THE REVEAL



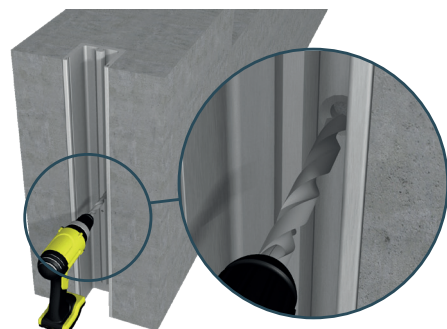
5

Create a recess (min. 76 mm wide, 68 mm deep) for the U-profiles by inserting a square timber when creating the formwork, or later by chiselling out a recess. Apply plaster to eliminate any unevenness.



6

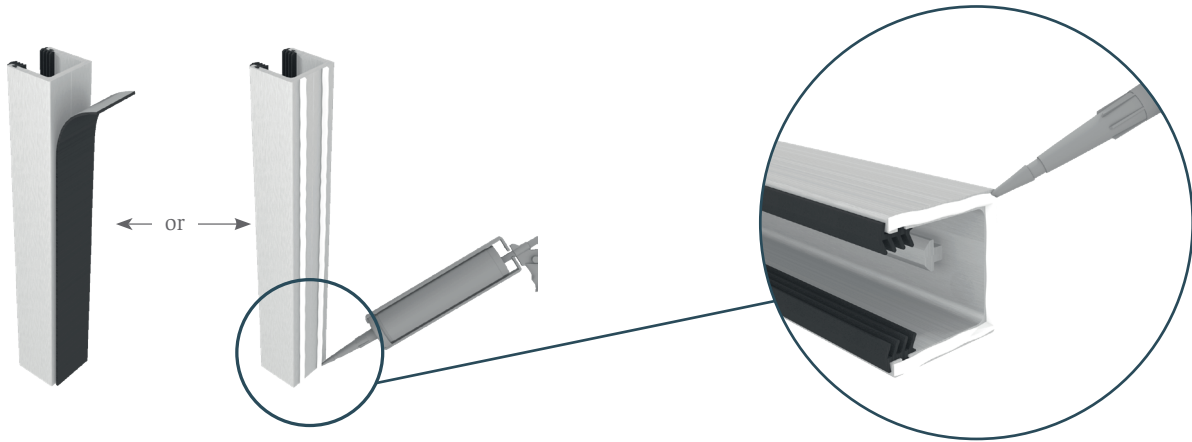
Place the U-profile in the recess, mark and pre-drill the drill holes. Prior to mounting the U-profile, eliminate any unevenness to ensure that it fits tightly against the wall and/or floor. To prevent tension, only screw onto flat surfaces.



7

Apply sealing tape (or silicone bead) to the rear of the U-profile. If the profile is to come into direct contact with concrete, a separating layer or coat of paint must be applied.

Apply silicone bead to the underside of the U-profile. When screwing the U-profile into the drill holes, make sure that the screw heads are sitting flush.



8

If there is enough room to insert the compression clamp into the top of the U-profile, position the U-profiles with the threadless part at the bottom.

9

If there is not enough room to mount the barrier panels on top of the U-profile (because a door frame is in the way, for example), make sure that there is sufficient clearance in the side slot in the wall (this will be determined by PREFA).

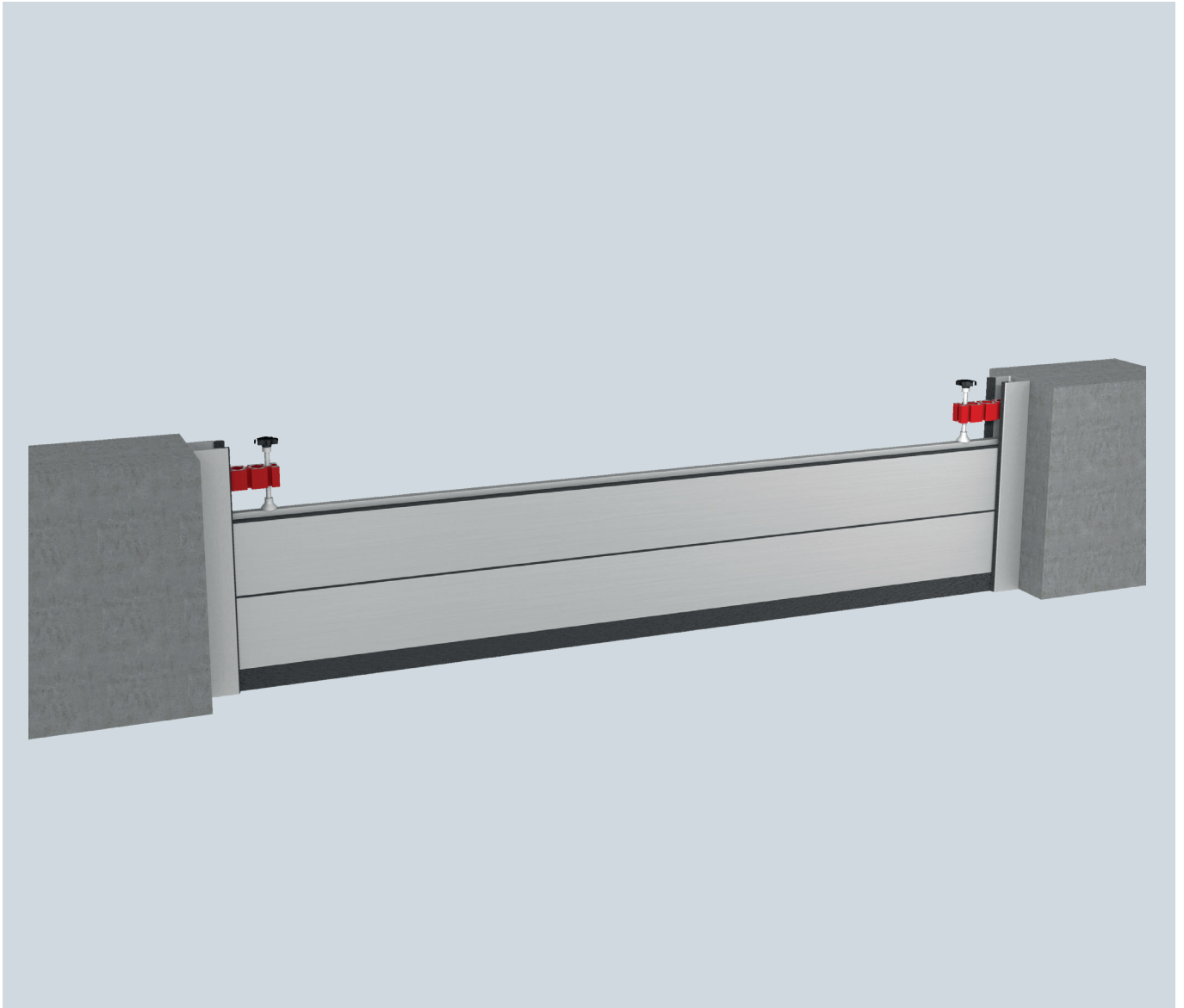


10

Inserting the barrier panels diagonally facilitates assembly (use silicone spray or a similar lubricant as a mounting aid).

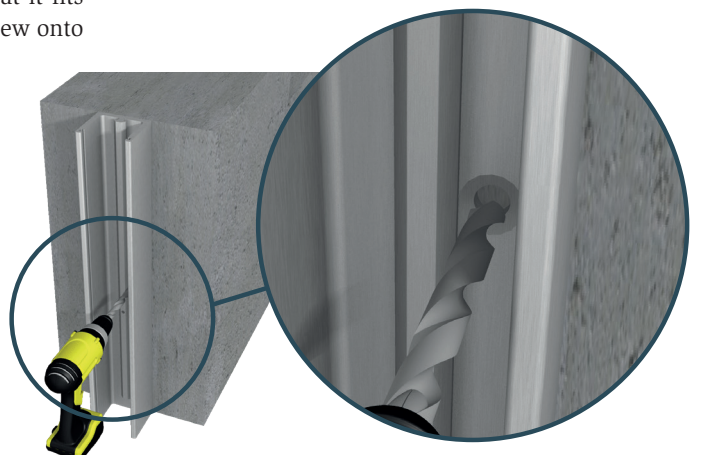


MOUNTING OPTION: IN THE REVEAL



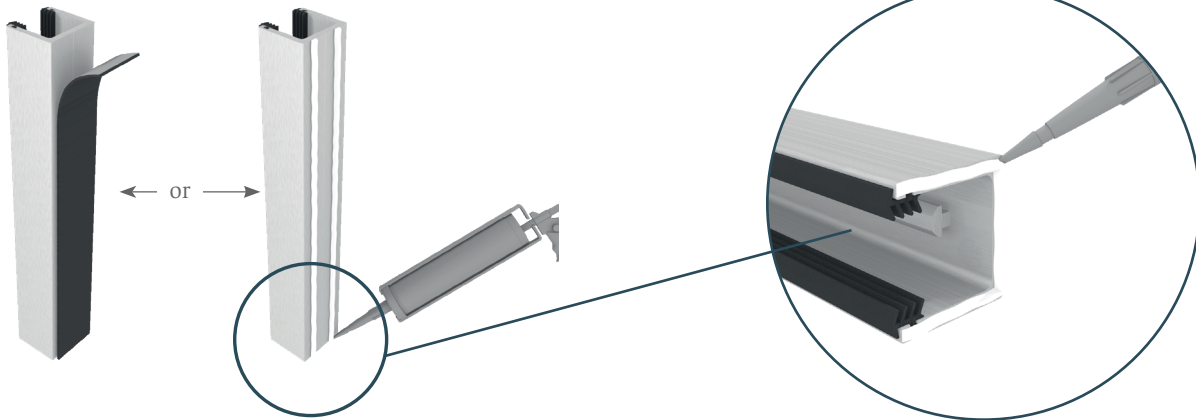
5

Fit the U-profile in the reveal, mark and pre-drill the drill holes. Prior to mounting the U-profile, eliminate any unevenness to ensure that it fits tightly against the wall and/or floor. To prevent tension, only screw onto flat surfaces.



6

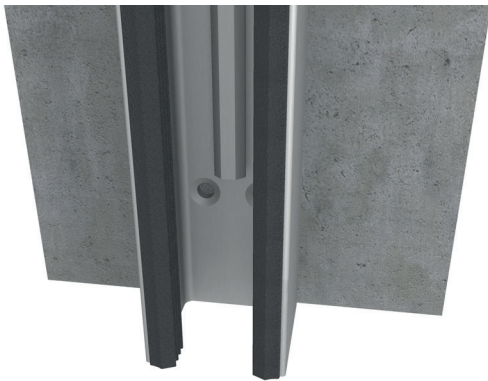
Apply sealing tape (or silicone bead) to the rear of the U-profile. If the profile is to come into direct contact with concrete, a separating layer or coat of paint must be applied.



Apply silicone bead to the underside of the U-profile. When screwing the U-profile into the drill holes, make sure that the screw heads are sitting flush.

7

If there is enough room to insert the compression clamp into the top of the U-profile, position the U-profiles with the threadless part at the bottom.



8

If there is not enough room to insert the compression clamps into the top of the U-profile (because a door frame is in the way, for example), position the U-profiles with the threadless part at the top.



9

To insert the top barrier panel, cut out the side part of the U-profile.



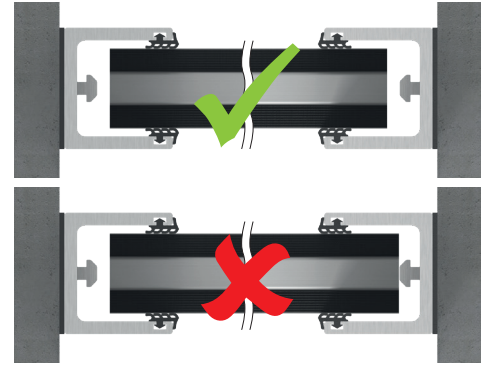
10

Inserting the barrier panels diagonally facilitates assembly (use silicone spray or a similar lubricant as a mounting aid).



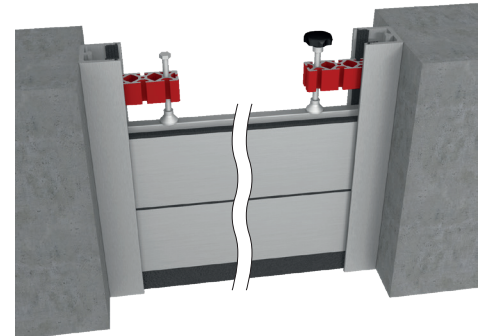
11

Make sure that the barrier panels are positioned centrally at an equal distance to both sides.



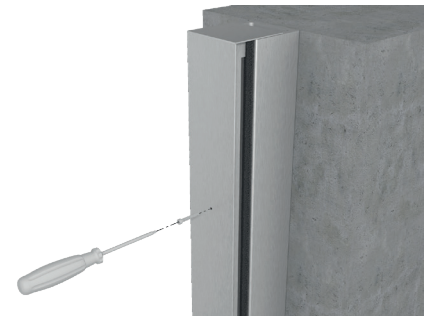
12

Push the compression clamps into the U-profiles on both sides. Manually tighten the compression clamps using the star-shaped handle or hex bolt.



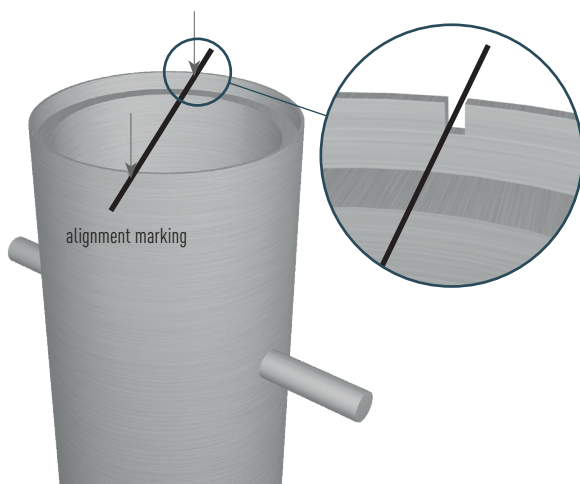
13

When the flood protection system is not being used, attach the covers over the U-profiles by inserting a screw into the factory pre-drilled hole.

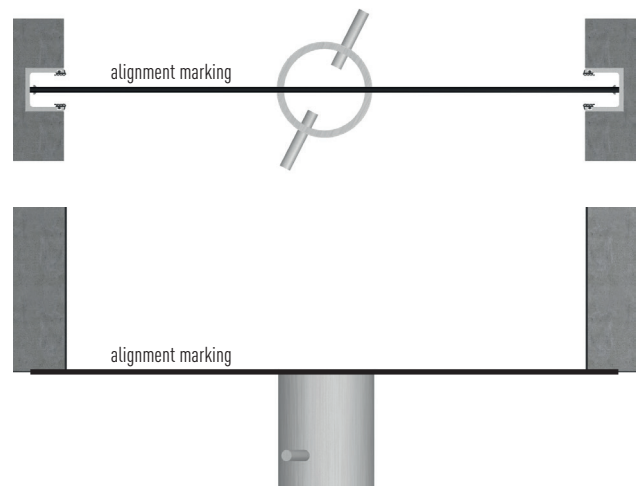


INSTALLING THE GROUND SLEEVE

14 Align the indentations with the barrier panels. Once the sleeves are set into the concrete, make sure that they are vertical, fit flush and do not stick out.

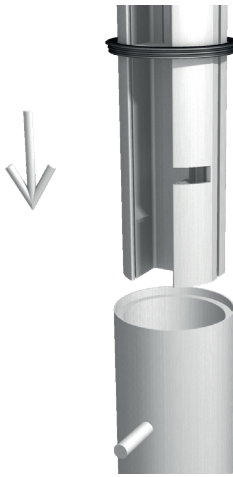


15 Illustration of a correctly aligned and mounted ground sleeve. When sealed in the concrete, make sure that the seals do not sink down.



INSTALLING THE CENTRE COLUMN

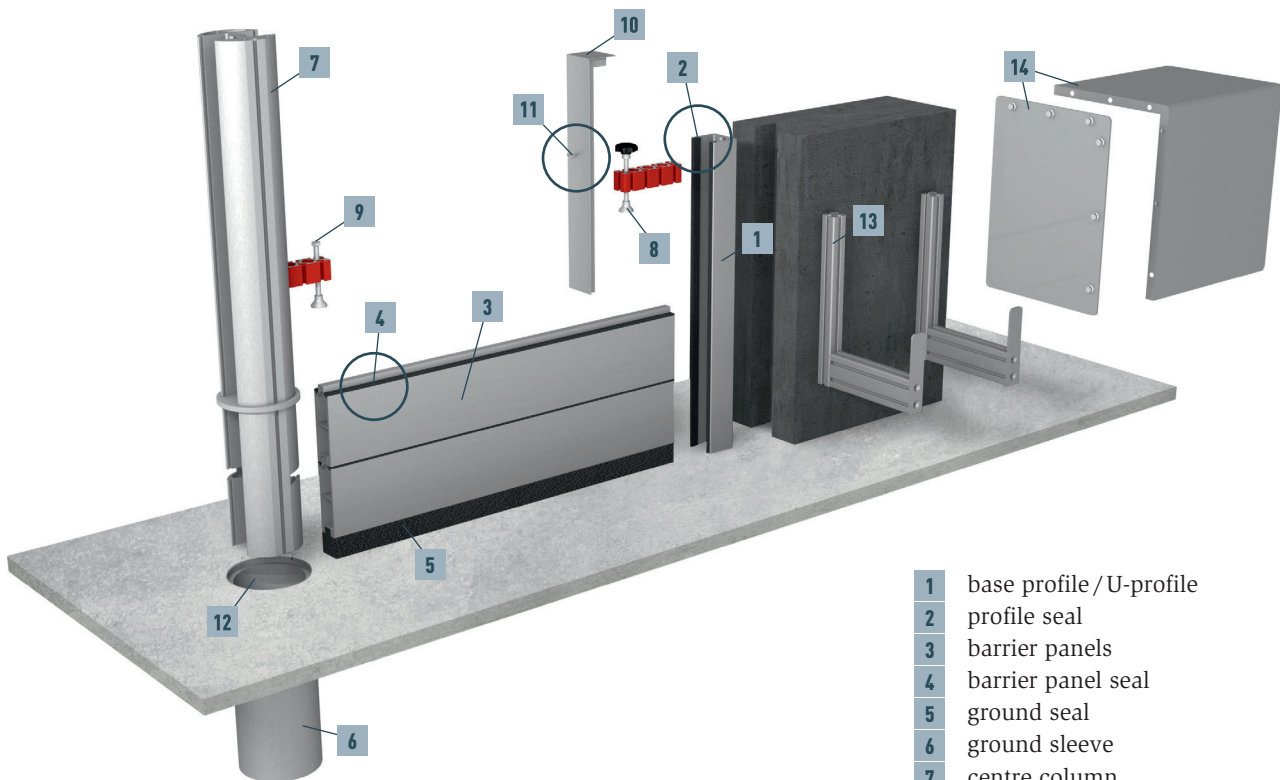
16 Place the sealing ring on the round profile and insert into the ground sleeve as illustrated.



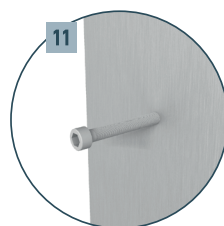
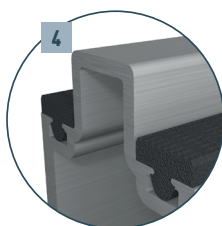
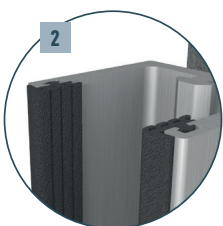
17 Make sure that the seal is sitting correctly and evenly all round. Turn the round profile in a clockwise direction until the openings face the basic profile or U-profile.



SYSTEM OVERVIEW



- 1 base profile / U-profile
- 2 profile seal
- 3 barrier panels
- 4 barrier panel seal
- 5 ground seal
- 6 ground sleeve
- 7 centre column
- 8 compression clamp with star-shaped handle
- 9 compression clamp with hex bolt
- 10 cover / angular cover
- 11 fixing screw
- 12 cover for ground sleeve
- 13 wall bracket
- 14 storage casing





**THE ROOF
AS STRONG AS A BULL!**

THE PREFA GROUP

AUSTRIA 3182 Marktl/Lilienfeld
T + 43 2762 502-0, **E** office.at@prefa.com

GERMANY 98634 Wasungen
T + 49 36941 785-0, **E** office.de@prefa.com

SWITZERLAND 8800 Thalwil
T + 41 71 952 68 19, **E** office.ch@prefa.com

ITALY 39100 Bolzano
T + 39 0471 068 680, **E** office.it@prefa.com

FRANCE 73190 Challes-les-Eaux
T + 33 4 79 44 84 58, **E** office.fr@prefa.com

THE CZECH REPUBLIC 19300 Prague
T + 420 234 496 501, **E** office.cz@prefa.com

HUNGARY 2040 Budaörs
T + 36 23 511-670, **E** office.hu@prefa.com

POLAND 02-295 Warsaw
T + 48 22 720 62 90, **E** office.pl@prefa.com

SWEDEN 232 91 Arlöv
T + 46 10 498 66 60, **E** office.se@prefa.com

www.prefa.com

ADVANTAGES OF THE ROBUST PREFA FLOOD PROTECTION SYSTEM MADE OF ALUMINIUM

**! CAN BE USED ANY TIME
! QUICK & EASY ASSEMBLY
! LIGHTWEIGHT**

THE PREFA GROUP IS REPRESENTED IN THE FOLLOWING COUNTRIES:

Austria, Germany, Switzerland, Italy, France, Belgium, the Netherlands, Luxembourg, Denmark, Sweden, Norway, the Czech Republic, Slovakia, Hungary, Poland, Slovenia, Croatia, Estonia, Latvia, Lithuania, Russia, United Kingdom

Photos: PREFA

Subject to technical modifications and printing errors. Printed colours may vary from the original material. 07/2017 | KBO | MF